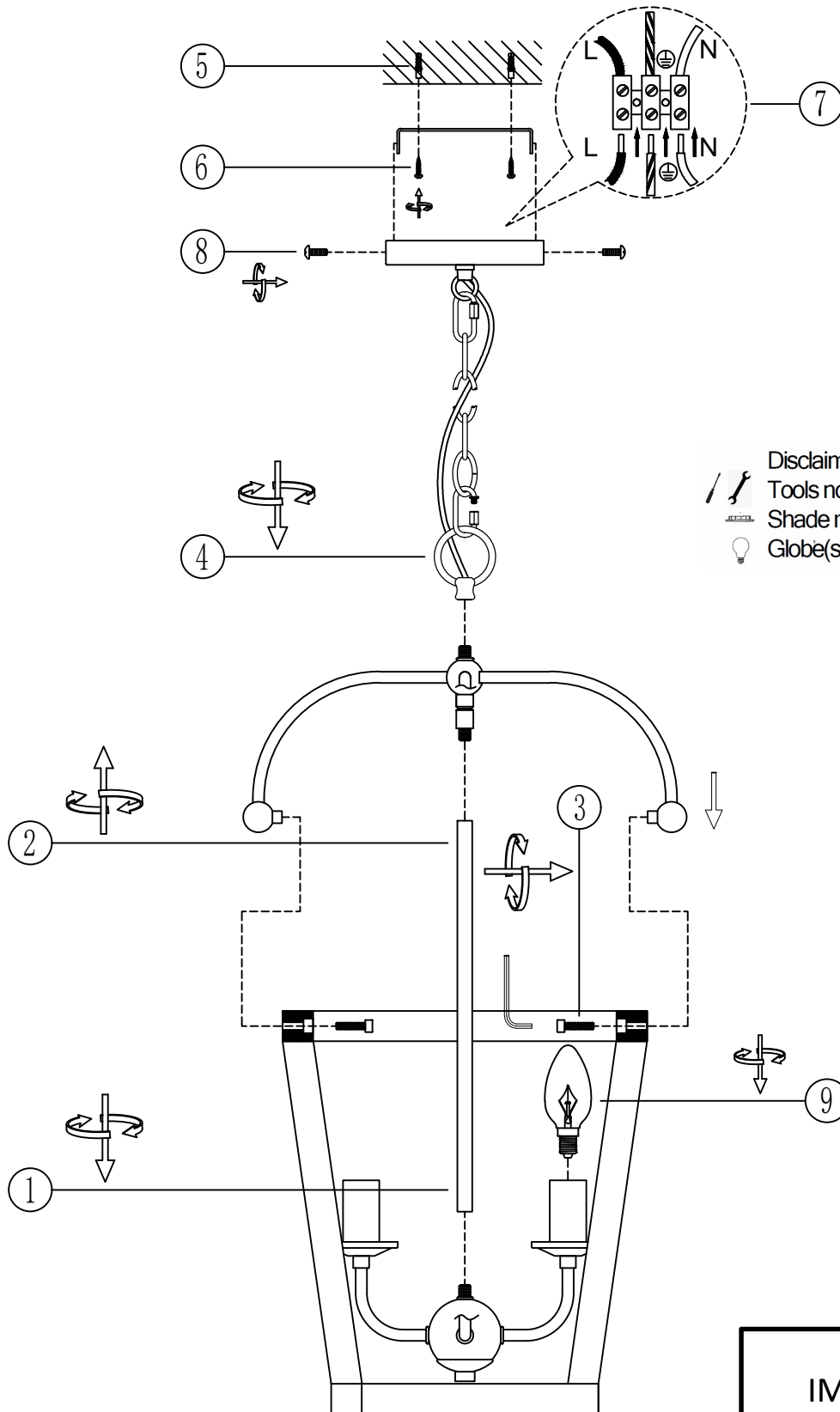


ITEMNO.:LACOTA PE4



Disclaimer:
Tools not included
Shade ring attached on lamp holder
Globe(s) not included

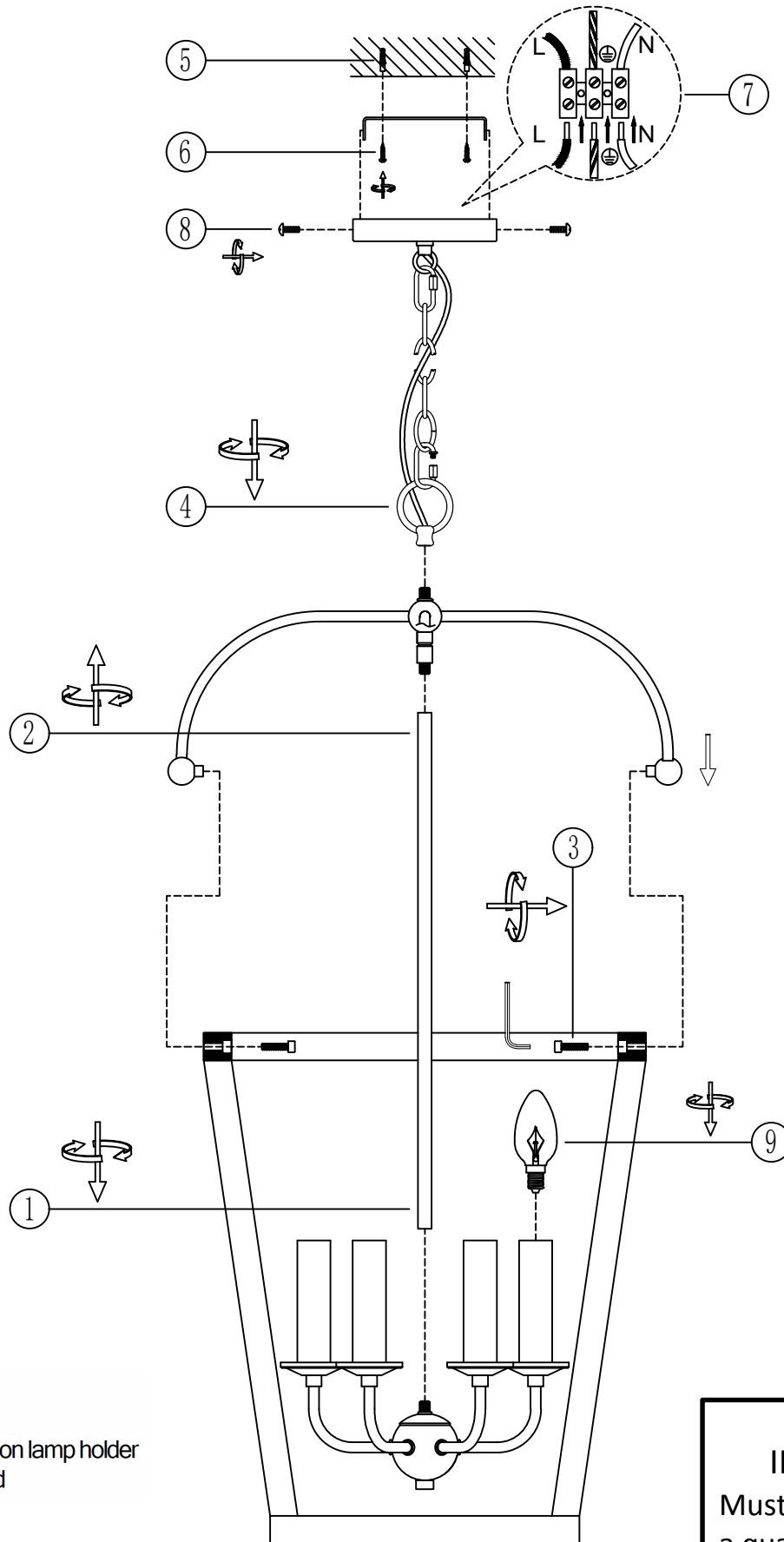


240V ~ 50Hz E14Max.25Wx4

NOTE: GLOBE NOT INCLUDED

IMPORTANT
Must be installed by
a qualified electrical
contractor.
Install in accordance
with AS/NZS3000

ITEMNO.:LACOTA PE6



Disclaimer:
Tools not included
Shade ring attached on lamp holder
Globe(s) not included

240V ~ 50Hz E14Max.25Wx6

NOTE: GLOBE NOT INCLUDED

IMPORTANT
Must be installed by a qualified electrical contractor.
Install in accordance with AS/NZS3000

