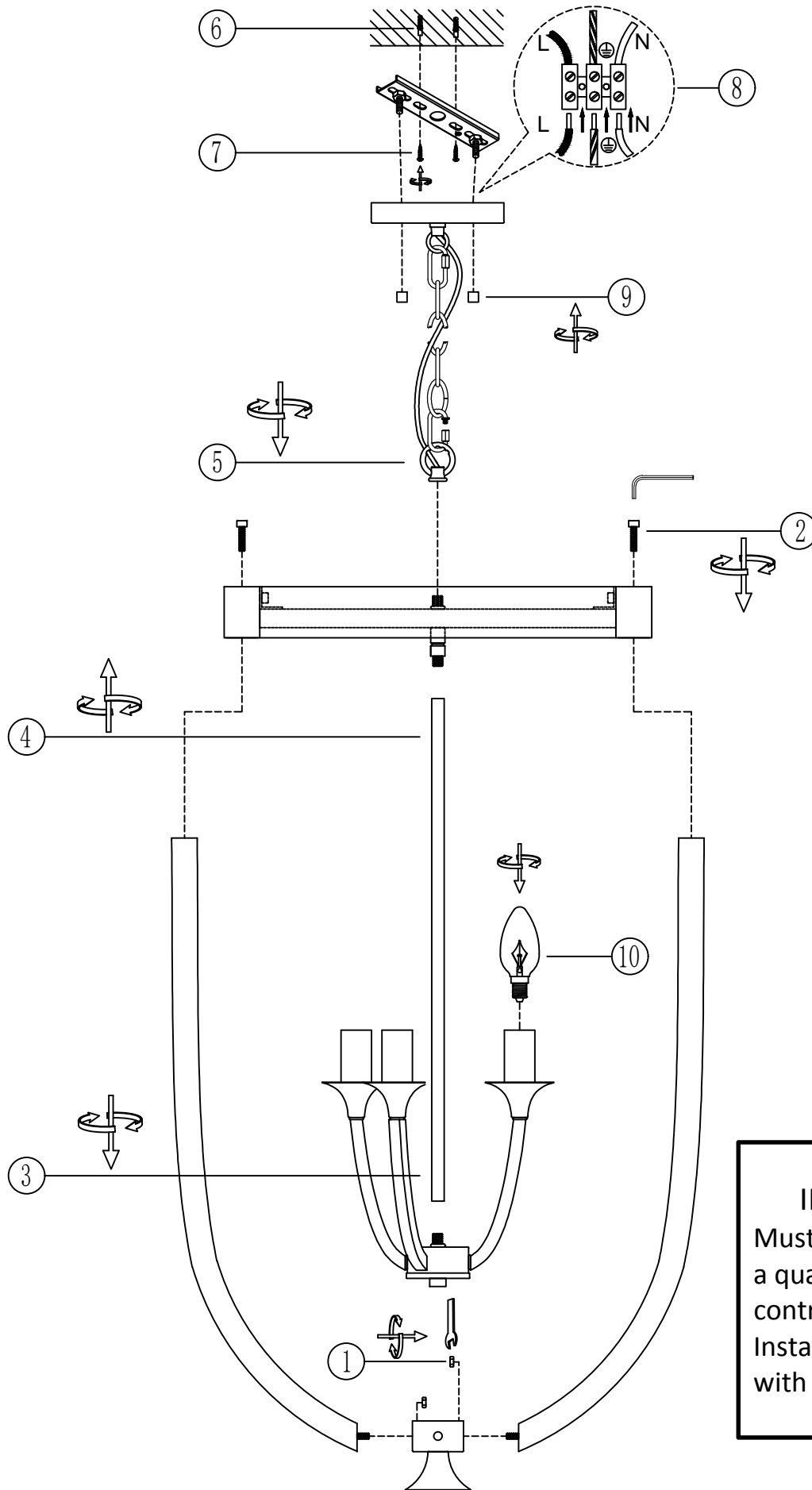


ITEMNO.:HOSLEY PE6



IMPORTANT
 Must be installed by
 a qualified electrical
 contractor.
 Install in accordance
 with AS/NZS3000



240V ~ 50Hz E14Max.25Wx6

NOTE: GLOBE NOT INCLUDED

- Disclaimer:
- Tools not included
 - Shade ring attached on lamp holder
 - Globe(s) not included