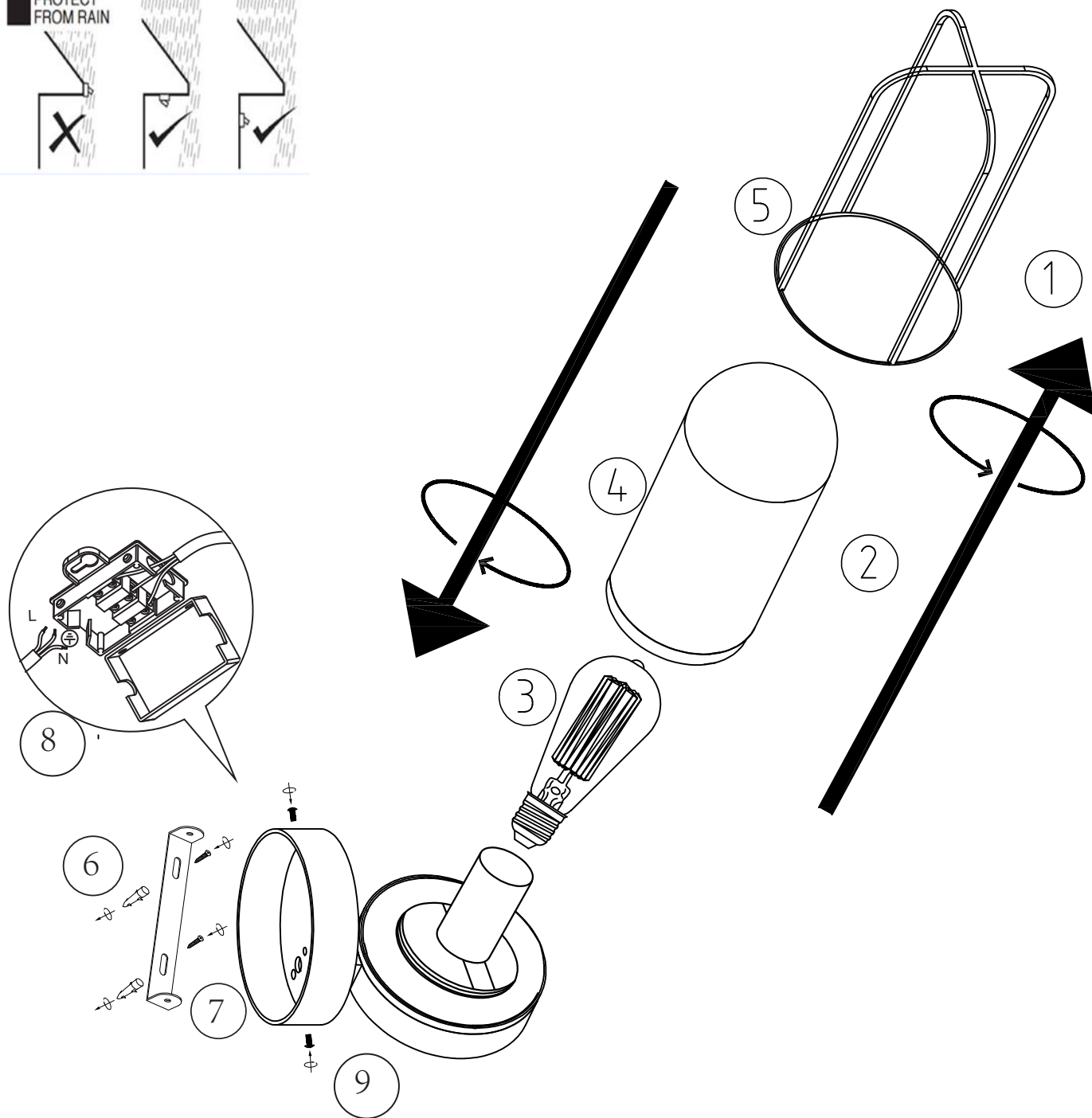
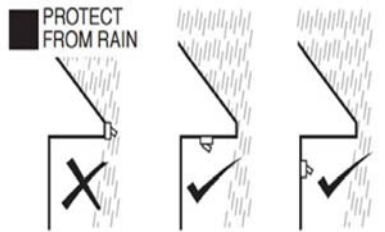


ITEMNO.:FONSECA WB



Telbix.

240V ~ 50Hz E27 Max.25W x1

NOTE: GLOBE NOT INCLUDED

IMPORTANT
Must be installed by
a qualified electrical
contractor.
Install in accordance
with AS/NZS3000