

Last modification 2022-06-22

ETERNA WB1-AGCL 9329501062036



A single glass sphere creates a bold offset and a very contemporary feel. The ETERNA 1 wall lamp will show true style when added to any luxury living space. Finished in antique gold and clear mouth-blown glass. Also available as twin wall lamp and table or floor lamp.

Overview

| | |
|---------------------------|-----------------|
| Family name | Eterna |
| Categories | Wall Lights |
| Mounting | Surface |
| This item includes | Glass |
| Shade Shape | Round |
| Usage | Indoor Lighting |

Color / Material

| | |
|-------------------------|--------------------|
| Fixture Color | Clear,Antique Gold |
| Fixture Material | Glass,Metal |
| Canopy Color | Antique Gold |
| Shade Material | Glass |
| Glass Color | Clear |

Size

| | |
|--------------------------------|-------|
| Fixture Length (cm) | 15.0 |
| Fixture Height (cm) | 30.0 |
| Fixture Projection (cm) | 16.5 |
| Canopy Diameter (cm) | 9.0 |
| Canopy Projection (cm) | 2.5 |
| Glass Diameter | 15.00 |

Specification

| | |
|---------------------------------|------|
| Voltage Input | 240V |
| Wattage (max) | 25 |
| Globe Type | E27 |
| Globe / Light Source qty | 1 |

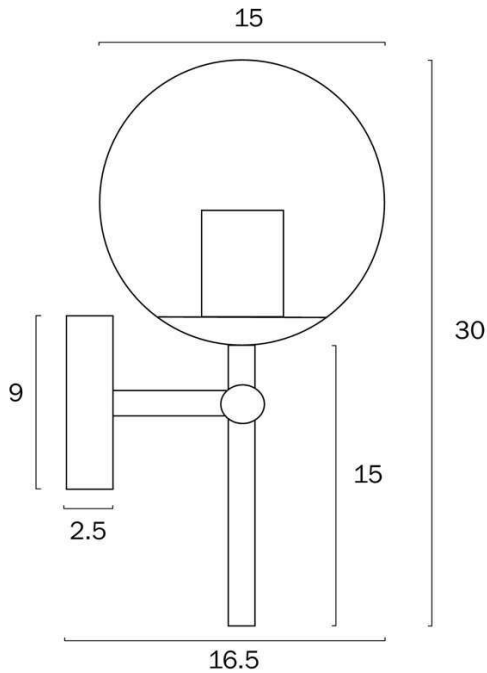
All representations within this document are subject to copyright. ELECTRICAL INSTALLATIONS MUST BE PERFORMED BY A QUALIFIED ELECTRICAL CONTRACTOR AND INSTALLED IN ACCORDANCE WITH AS/NZS 3000.
NOTE : All images , descriptions and dimensions are indicative. Please check latest version of item detail on Telbix website prior to ordering or installation.

| | |
|--------------------------------------|---|
| Globe / Light Source included | No |
| Dimmable | Globe Dependant |
| Electrical Protection | CLASS I - HIGH VOLTAGE, EARTH REQUIRED |
| IP rating | IP20 |
| Approvals | RCM |
| Box Contents | Basic mounting screws,Instruction |
| Installation Required | Yes (by Licensed Electrician only) |
| Care Instructions | Do not use strong liquid cleaners,Wipe clean with a dry cloth |
| Warranty | 3 Years |

Barcode

GTIN 9329501062036

Image -dimensions



Note: Dimensions are only a guide and may vary due to manufacturing variations.



Last modification 2022-06-22

ETERNA WB1-AGOP 9329501062029



A single glass sphere creates a bold offset and a very contemporary feel. The ETERNA 1 wall lamp will show true style when added to any luxury living space. Finished in antique gold and opal matt mouth-blown glass. Also available as twin wall lamp and table or floor lamp.

Overview

| | |
|---------------------------|-----------------|
| Family name | Eterna |
| Categories | Wall Lights |
| Mounting | Surface |
| This item includes | Glass |
| Shade Shape | Round |
| Usage | Indoor Lighting |

Color / Material

| | |
|-------------------------|------------------------|
| Fixture Color | Opal Matt,Antique Gold |
| Fixture Material | Glass,Metal |
| Canopy Color | Antique Gold |
| Shade Material | Glass |
| Glass Color | Opal Matt |

Size

| | |
|--------------------------------|-------|
| Fixture Length (cm) | 15.0 |
| Fixture Height (cm) | 30.0 |
| Fixture Projection (cm) | 16.5 |
| Canopy Diameter (cm) | 9.0 |
| Canopy Projection (cm) | 2.5 |
| Glass Diameter | 15.00 |

Specification

| | |
|---------------------------------|------|
| Voltage Input | 240V |
| Wattage (max) | 25 |
| Globe Type | E27 |
| Globe / Light Source qty | 1 |

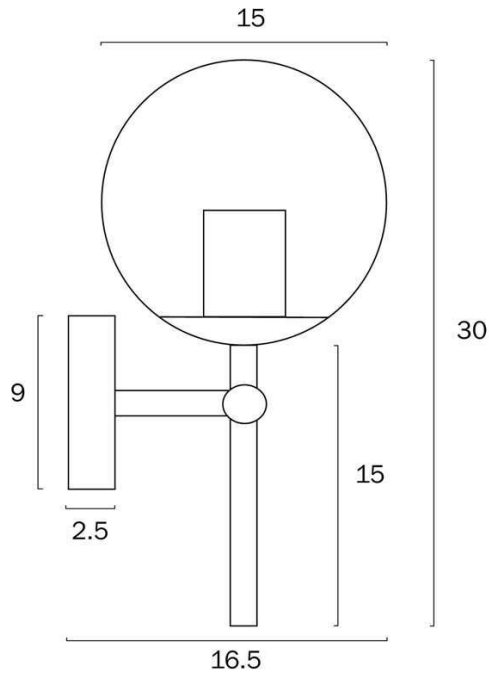
All representations within this document are subject to copyright. ELECTRICAL INSTALLATIONS MUST BE PERFORMED BY A QUALIFIED ELECTRICAL CONTRACTOR AND INSTALLED IN ACCORDANCE WITH AS/NZS 3000.
NOTE : All images , descriptions and dimensions are indicative. Please check latest version of item detail on Telbix website prior to ordering or installation.

| | |
|--------------------------------------|---|
| Globe / Light Source included | No |
| Dimmable | Globe Dependant |
| Electrical Protection | CLASS I - HIGH VOLTAGE, EARTH REQUIRED |
| IP rating | IP20 |
| Approvals | RCM |
| Box Contents | Basic mounting screws,Instruction |
| Installation Required | Yes (by Licensed Electrician only) |
| Care Instructions | Do not use strong liquid cleaners,Wipe clean with a dry cloth |
| Warranty | 3 Years |

Barcode

GTIN 9329501062029

Image -dimensions



Note: Dimensions are only a guide and may vary due to manufacturing variations.



Last modification 2022-06-22

ETERNA WB1-BKCL
9329501062043



A single glass sphere creates a bold offset and a very contemporary feel. The ETERNA 1 wall lamp will show true style when added to any luxury living space. Finished in black and clear mouth-blown glass. Also available as twin wall lamp and table or floor lamp.

Overview

| | |
|---------------------------|-----------------|
| Family name | Eterna |
| Categories | Wall Lights |
| Mounting | Surface |
| This item includes | Glass |
| Shade Shape | Round |
| Usage | Indoor Lighting |

Color / Material

| | |
|-------------------------|-------------|
| Fixture Color | Clear,Black |
| Fixture Material | Glass,Metal |
| Canopy Color | Black |
| Shade Material | Glass |
| Glass Color | Clear |

Size

| | |
|--------------------------------|-------|
| Fixture Length (cm) | 15.0 |
| Fixture Height (cm) | 30.0 |
| Fixture Projection (cm) | 16.5 |
| Canopy Diameter (cm) | 9.0 |
| Canopy Projection (cm) | 2.5 |
| Glass Diameter | 15.00 |

Specification

| | |
|--------------------------------------|------|
| Voltage Input | 240V |
| Wattage (max) | 25 |
| Globe Type | E27 |
| Globe / Light Source qty | 1 |
| Globe / Light Source included | No |

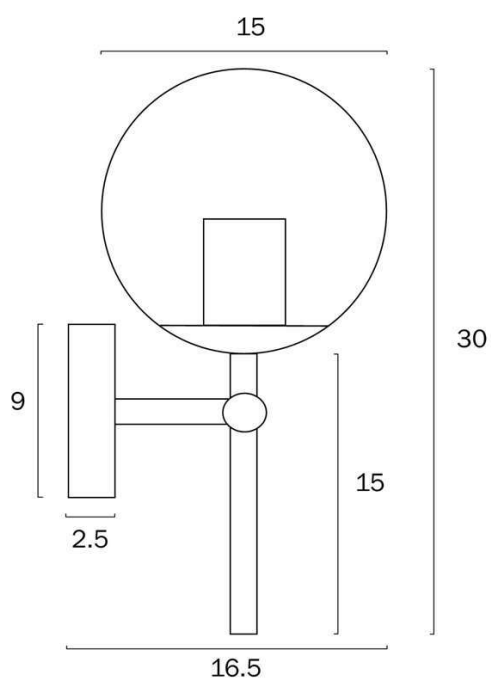
All representations within this document are subject to copyright. ELECTRICAL INSTALLATIONS MUST BE PERFORMED BY A QUALIFIED ELECTRICAL CONTRACTOR AND INSTALLED IN ACCORDANCE WITH AS/NZS 3000.
NOTE : All images , descriptions and dimensions are indicative. Please check latest version of item detail on Telbix website prior to ordering or installation.

| | |
|------------------------------|---|
| Dimmable | Globe Dependant |
| Electrical Protection | CLASS I - HIGH VOLTAGE, EARTH REQUIRED |
| IP rating | IP20 |
| Approvals | RCM |
| Box Contents | Basic mounting screws,Instruction |
| Installation Required | Yes (by Licensed Electrician only) |
| Care Instructions | Do not use strong liquid cleaners,Wipe clean with a dry cloth |
| Warranty | 3 Years |

Barcode

GTIN 9329501062043

Image -dimensions



Note: Dimensions are only a guide and may vary due to manufacturing variations.



Last modification 2022-06-22

ETERNA WB1-BKOP 9329501062050



A single glass sphere creates a bold offset and a very contemporary feel. The ETERNA 1 wall lamp will show true style when added to any luxury living space. Finished in black and opal matt mouth-blown glass. Also available as twin wall lamp and table or floor lamp.

Overview

| | |
|---------------------------|-----------------|
| Family name | Eterna |
| Categories | Wall Lights |
| Mounting | Surface |
| This item includes | Glass |
| Shade Shape | Round |
| Usage | Indoor Lighting |

Color / Material

| | |
|-------------------------|-----------------|
| Fixture Color | Black,Opal Matt |
| Fixture Material | Glass,Metal |
| Canopy Color | Black |
| Shade Material | Glass |
| Glass Color | Opal Matt |

Size

| | |
|--------------------------------|-------|
| Fixture Length (cm) | 15.0 |
| Fixture Height (cm) | 30.0 |
| Fixture Projection (cm) | 16.5 |
| Canopy Diameter (cm) | 9.0 |
| Canopy Projection (cm) | 2.5 |
| Glass Diameter | 15.00 |

Specification

| | |
|---------------------------------|------|
| Voltage Input | 240V |
| Wattage (max) | 25 |
| Globe Type | E27 |
| Globe / Light Source qty | 1 |

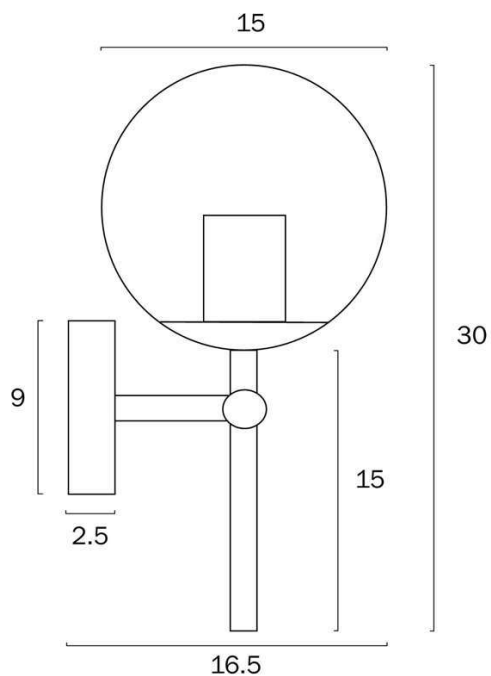
All representations within this document are subject to copyright. ELECTRICAL INSTALLATIONS MUST BE PERFORMED BY A QUALIFIED ELECTRICAL CONTRACTOR AND INSTALLED IN ACCORDANCE WITH AS/NZS 3000.
NOTE : All images , descriptions and dimensions are indicative. Please check latest version of item detail on Telbix website prior to ordering or installation.

| | |
|--------------------------------------|---|
| Globe / Light Source included | No |
| Dimmable | Globe Dependant |
| Electrical Protection | CLASS I - HIGH VOLTAGE, EARTH REQUIRED |
| IP rating | IP20 |
| Approvals | RCM |
| Box Contents | Basic mounting screws,Instruction |
| Installation Required | Yes (by Licensed Electrician only) |
| Care Instructions | Do not use strong liquid cleaners,Wipe clean with a dry cloth |
| Warranty | 3 Years |

Barcode

GTIN 9329501062050

Image -dimensions



Note: Dimensions are only a guide and may vary due to manufacturing variations.

