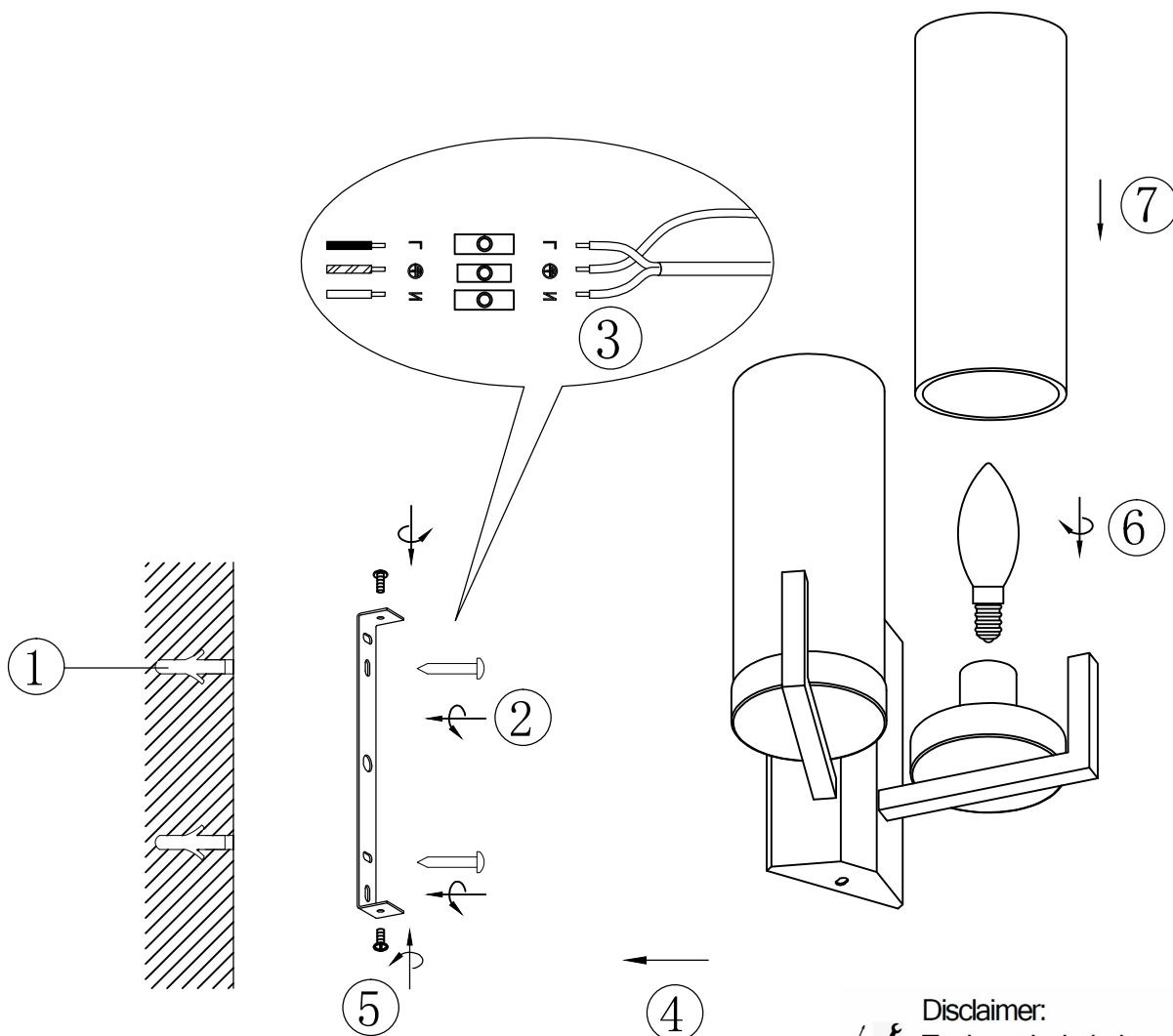


# ITEM NO.: EAMON WB2



Disclaimer:  
Tools not included  
Shade ring attached on lamp holder  
Globe(s) not included

240V ~ 50Hz E14Max.25Wx2

NOTE:GLOBE NOT INCLUDED



**Telbix.**

**IMPORTANT**  
Must be installed by  
a qualified electrical  
contractor.  
Install in accordance  
with AS/NZ3000