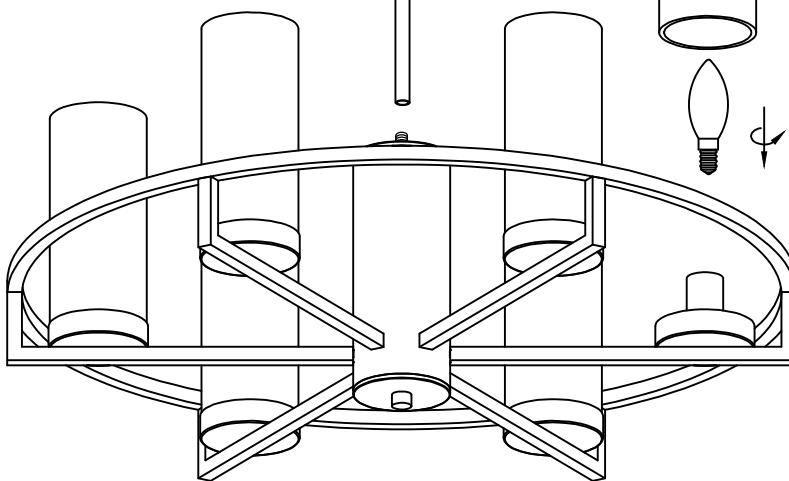
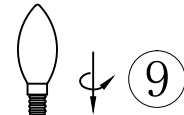
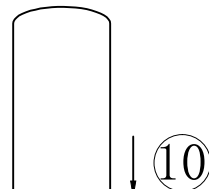
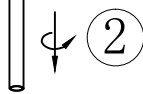
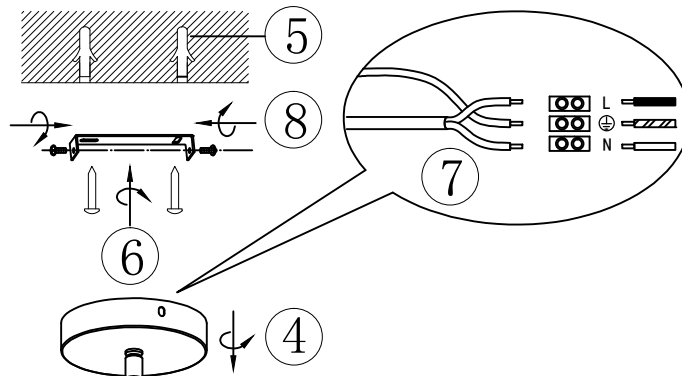


ITEM NO.: EAMON PE6



IMPORTANT
Must be installed by
a qualified electrical
contractor.
Install in accordance
with AS/NZ3000

- Disclaimer:
/ Tools not included
 Shade ring attached on lamp holder
 Globe(s) not included



Telbix.

240V ~ 50Hz E14Max.25Wx6

NOTE:GLOBE NOT INCLUDED