

Last modification 2022-08-10

DIAZ TL-BKWH
9329501059739



Overview

Family name	Diaz
Categories	Table Lamps
This item includes	Shade
Shade Shape	Drum
Switch	Inline Switch
Usage	Indoor Lighting

Color / Material

Fixture Color	Black,White
Fixture Finish	Gloss
Fixture Material	Fabric,Ceramic
Shade Color	White
Shade Material	Fabric,Plastic
Base Color	Black
Base Material	Ceramic
Cable Color	Black
Cable Material	PVC



Size

Fixture Diameter (cm)	33.0
Fixture Height (cm)	54.0
Base Diameter (cm)	26.0
Shade Diameter (cm)	33.0
Shade Height (cm)	23.0
Cable Length (cm)	180 (30+Inline Switch+150)

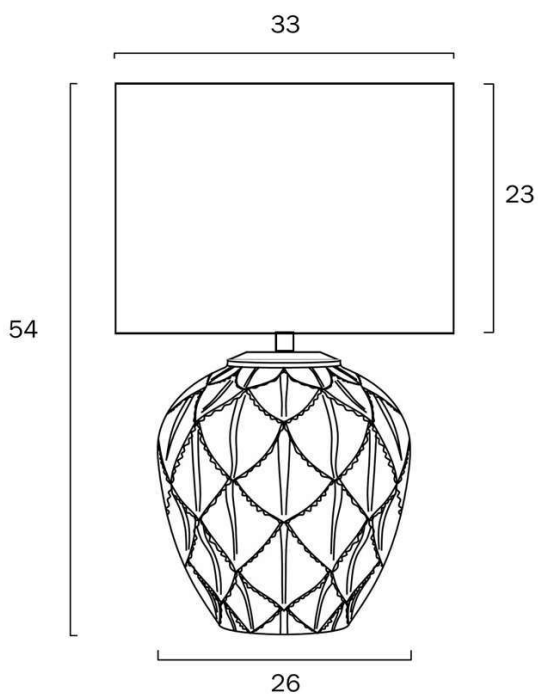
Specification

Voltage Input	240V
Wattage (max)	25
Globe Type	E27
Globe / Light Source qty	1
Globe / Light Source included	No
Electrical Protection	CLASS II - DOUBLE INSULATED, EARTH NOT REQUIRED
IP rating	IP20
Lead and Plug	Yes
Approvals	RCM
Assembly Required	Yes
Box Contents	Instruction
Care Instructions	Do not use strong liquid cleaners,Wipe clean with a dry cloth
Warranty	3 Years

Barcode

GTIN 9329501059739

Image -dimensions



Note: Dimensions are only a guide and may vary due to manufacturing variations.



Last modification

2022-11-15

DIAZ TL-BLWH
9329501059722



The Diaz table lamp makes a bold, bright statement and dresses up any living area. Constructed of ceramic, this shapely base has hand applied color making every piece unique, complementing your individual decor. The base is further accented by the simple fabric drum shade.

Overview

Family name	Diaz
Categories	Table Lamps
This item includes	Shade
Shade Shape	Drum
Switch	Inline Switch
Usage	Indoor Lighting
ERAC Product Registration	E2021050423

Color / Material

Fixture Color	Blue,White
Fixture Pantone Color	2757 CP
Fixture Finish	Gloss
Fixture Material	Fabric,Ceramic
Shade Color	White
Shade Material	Fabric,Plastic
Base Color	Blue
Base Material	Ceramic
Cable Color	Black
Cable Material	PVC



Size

Fixture Diameter (cm)	33.0
Fixture Height (cm)	54.0
Base Diameter (cm)	26.0
Shade Diameter (cm)	33.0
Shade Height (cm)	23.0
Cable Length (cm)	180 (30+Inline Switch+150)

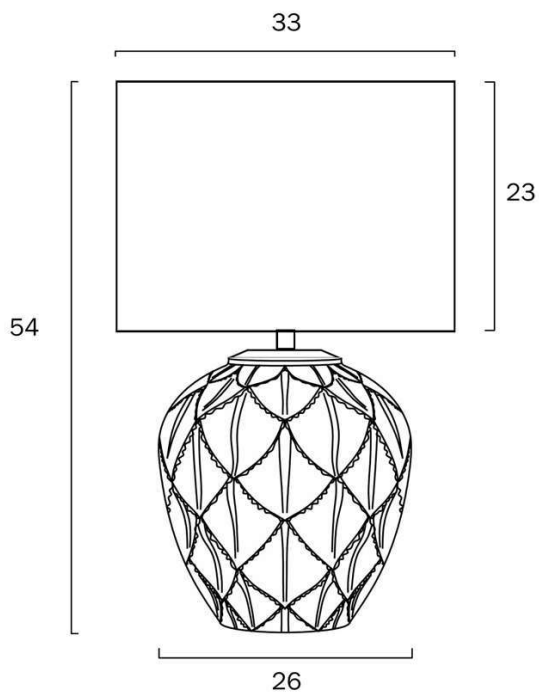
Specification

Voltage Input	240V
Wattage (max)	25
Globe Type	E27
Globe / Light Source qty	1
Globe / Light Source included	No
Electrical Protection	CLASS II - DOUBLE INSULATED, EARTH NOT REQUIRED
IP rating	IP20
Lead and Plug	Yes
Approvals	RCM
Assembly Required	Yes
Box Contents	Instruction
Care Instructions	Do not use strong liquid cleaners,Wipe clean with a dry cloth
Replacement Warranty	*3 Years

Barcode

GTIN 9329501059722

Image -dimensions



Note: Dimensions are only a guide and may vary due to manufacturing variations.



