

Last modification 2023-11-13

BRIANA TL-WH 9329501066409



The Briana table lamp is a versatile lighting solution suitable for indoor and outdoor settings. It's perfect for personal use at home, offering portability and touch-based controls for adjusting brightness. In commercial applications, such as restaurants and cafes, it provides intimate table lighting with dimming options. The lamp's IP54 waterproof rating makes it resilient against dust and light water exposure. Additionally, a 10-bank charging station option ensures readiness for establishments requiring multiple lamps, making it an ideal choice for various settings.

Overview

Family name	Briana
Categories	Table Lamps
Switch	Yes - 3 way Touch Switch
Usage	Indoor Lighting, Outdoor Lighting

Color / Material

Fixture Color	White
Fixture Finish	Sand
Fixture Material	Iron
Diffuser Color	Frost
Cable Color	White
Cable Material	PVC

Size

Fixture Diameter (cm)	12.0
Fixture Height (cm)	30.0
Cable Length (cm)	100

Specification

Voltage Input	240V
Total Wattage (max)	3
Globe Type	LED integrated SMD
Globe / Light Source qty	1
Globe / Light Source included	Yes
Lumens	300

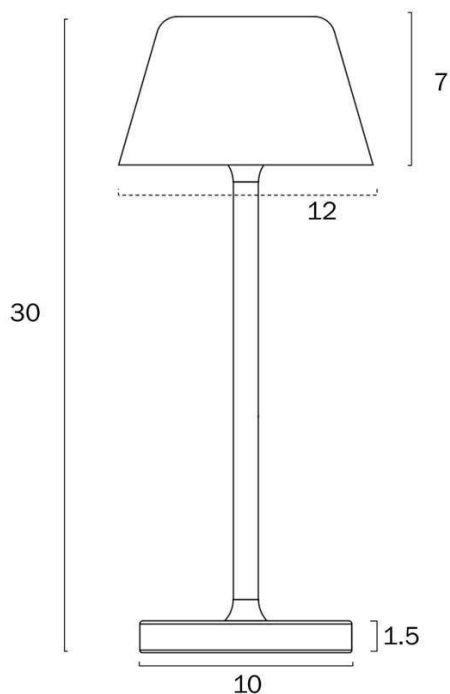
All representations within this document are subject to copyright. ELECTRICAL INSTALLATIONS MUST BE PERFORMED BY A QUALIFIED ELECTRICAL CONTRACTOR AND INSTALLED IN ACCORDANCE WITH AS/NZS 3000.
NOTE : All images , descriptions and dimensions are indicative. Please check latest version of item detail on Telbix website prior to ordering or installation.

Color Temperature	Warm White; Natural White; Cool White
Color Kelvin	3 CCT (3000k - 4000k - 5000k)
Battery Capacity (mA)	2x2000 (6-24 hour capacity)
Dimmable	Touch
Electrical Protection	CLASS III
IP rating	IP54
USB Port	Yes
Approvals	RCM
Assembly Required	No
Box Contents	Instruction
Care Instructions	Do not use strong liquid cleaners, Wipe clean with a dry cloth
Replacement Warranty	*2 Years

Barcode

GTIN 9329501066409

Image -dimensions



Note: Dimensions are only a guide and may vary due to manufacturing variations.