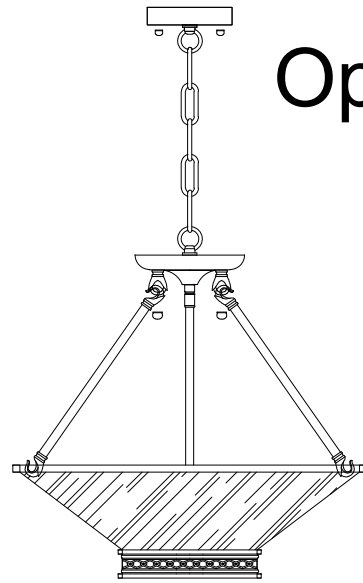
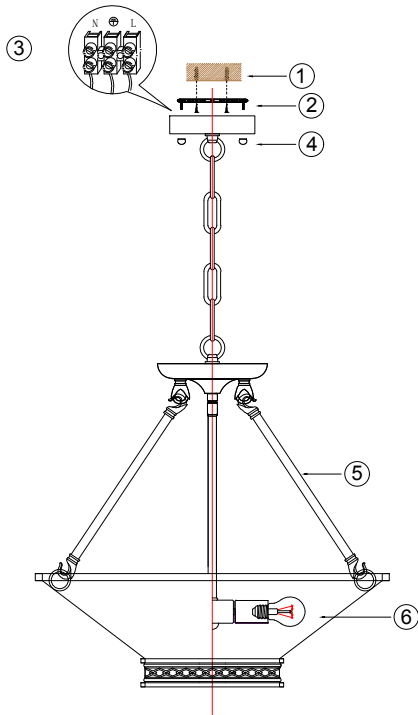
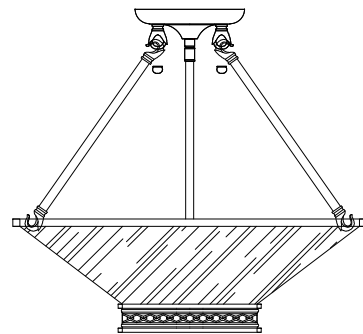
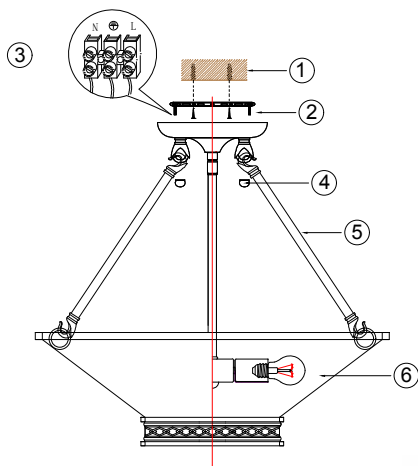





ITEM NO.: BRACCI PE



Option 1



Option 2

- Disclaimer:
-  Tools not included
 -  Shade ring attached on lamp holder
 -  Globe(s) not included

IMPORTANT
Must be installed by
a qualified electrical
contractor.
Install in accordance
with AS/NZS3000

240V ~ 50Hz E27 Max.25W x4

NOTE: GLOBE NOT INCLUDED



Telbix.