

Last modification

2024-02-15

## AZALEA TL-BKAG

9329501068137



The Azalea table lamp is a stunning fusion of luxury and contemporary design. Its base, crafted from exquisite marble and iron, exudes a sense of opulence and stability. The focal point of this elegant lamp is its glass tulip-shaped shade, offering a delicate and artistic touch to the overall aesthetic. The Azalea table lamp not only provides a warm and inviting glow but also serves as a sophisticated statement piece, seamlessly blending modernity with timeless charm. Illuminate your space with grace and style with the Azalea table lamp. Available in white marble and chrome or black marble and antique gold base.

### Overview

<b>Family name</b>	Azalea
<b>Categories</b>	Table Lamps
<b>Switch</b>	Inline Switch
<b>Usage</b>	Indoor Lighting
<b>ERAC Product Registration</b>	SAA-210304-EA

### Color / Material

<b>Fixture Color</b>	Black Marble, Antique Gold, Clear
<b>Fixture Finish</b>	Gloss
<b>Fixture Material</b>	Marble, Iron, Glass
<b>Shade Material</b>	Glass
<b>Base Color</b>	Black Marble
<b>Base Material</b>	Marble
<b>Glass Color</b>	Clear
<b>Cable Color</b>	Black
<b>Cable Material</b>	PVC

### Size

<b>Fixture Length (cm)</b>	21.0
<b>Fixture Width (cm)</b>	15.0
<b>Fixture Height (cm)</b>	46.0
<b>Base Diameter (cm)</b>	15.0
<b>Base Height (cm)</b>	2.5
<b>Shade Diameter (cm)</b>	10.0
<b>Shade Height (cm)</b>	14.5
<b>Height Adjustable?</b>	No

All representations within this document are subject to copyright. ELECTRICAL INSTALLATIONS MUST BE PERFORMED BY A QUALIFIED ELECTRICAL CONTRACTOR AND INSTALLED IN ACCORDANCE WITH AS/NZS 3000.  
NOTE : All images , descriptions and dimensions are indicative. Please check latest version of item detail on Telbix website prior to ordering or installation.

**Cable Length (cm)** 180 (30+Inline Switch+150)

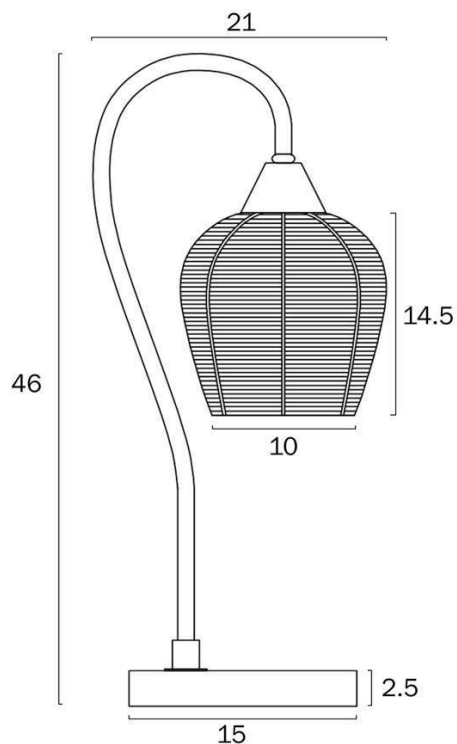
## Specification

**Voltage Input** 240V  
**Total Wattage (max)** 25  
**Globe Type** E27  
**Globe / Light Source qty** 1  
**Globe / Light Source included** No  
**Dimmable** Globe Dependant  
**Electrical Protection** CLASS II - DOUBLE INSULATED, EARTH NOT REQUIRED  
**IP rating** IP20  
**Lead and Plug** Yes  
**Approvals** RCM  
**Care Instructions** Do not use strong liquid cleaners, Wipe clean with a dry cloth  
**Replacement Warranty** \*3 Years

## Barcode

**GTIN** 9329501068137

## Image -dimensions



Note: Dimensions are only a guide and may vary due to manufacturing variations.



Last modification

2024-02-15

## AZALEA TL-WHCH

9329501068144



The Azalea table lamp is a stunning fusion of luxury and contemporary design. Its base, crafted from exquisite marble and iron, exudes a sense of opulence and stability. The focal point of this elegant lamp is its glass tulip-shaped shade, offering a delicate and artistic touch to the overall aesthetic. The Azalea table lamp not only provides a warm and inviting glow but also serves as a sophisticated statement piece, seamlessly blending modernity with timeless charm. Illuminate your space with grace and style with the Azalea table lamp. Available in white marble and chrome or black marble and antique gold base.

### Overview

<b>Family name</b>	Azalea
<b>Categories</b>	Table Lamps
<b>Switch</b>	Inline Switch
<b>Usage</b>	Indoor Lighting
<b>ERAC Product Registration</b>	SAA-210304-EA

### Color / Material

<b>Fixture Color</b>	White Marble, Chrome, Clear
<b>Fixture Finish</b>	Gloss
<b>Fixture Material</b>	Marble, Iron, Glass
<b>Shade Material</b>	Glass
<b>Base Color</b>	White Marble
<b>Base Material</b>	Marble
<b>Glass Color</b>	Clear
<b>Cable Color</b>	Black
<b>Cable Material</b>	PVC

### Size

<b>Fixture Length (cm)</b>	21.0
<b>Fixture Width (cm)</b>	15.0
<b>Fixture Height (cm)</b>	46.0
<b>Base Diameter (cm)</b>	15.0
<b>Base Height (cm)</b>	2.5
<b>Shade Diameter (cm)</b>	10.0
<b>Shade Height (cm)</b>	14.5
<b>Height Adjustable?</b>	No

All representations within this document are subject to copyright. ELECTRICAL INSTALLATIONS MUST BE PERFORMED BY A QUALIFIED ELECTRICAL CONTRACTOR AND INSTALLED IN ACCORDANCE WITH AS/NZS 3000.  
NOTE : All images , descriptions and dimensions are indicative. Please check latest version of item detail on Telbix website prior to ordering or installation.

**Cable Length (cm)** 180 (30+Inline Switch+150)

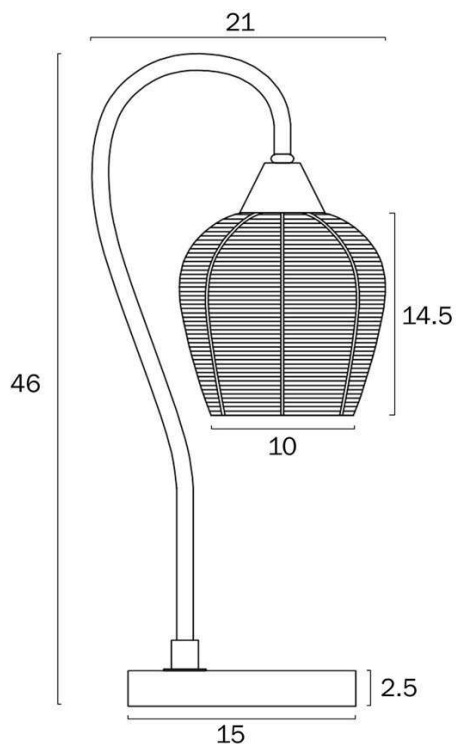
## Specification

**Voltage Input** 240V  
**Total Wattage (max)** 25  
**Globe Type** E27  
**Globe / Light Source qty** 1  
**Globe / Light Source included** No  
**Dimmable** Globe Dependant  
**Electrical Protection** CLASS II - DOUBLE INSULATED, EARTH NOT REQUIRED  
**IP rating** IP20  
**Lead and Plug** Yes  
**Approvals** RCM  
**Care Instructions** Do not use strong liquid cleaners, Wipe clean with a dry cloth  
**Replacement Warranty** \*3 Years

## Barcode

**GTIN** 9329501068144

## Image -dimensions



Note: Dimensions are only a guide and may vary due to manufacturing variations.

