

Last modification

2024-04-04

ANTERA PE40-BK

9329501071991



The Antera pendant exudes a delightful coastal and boho vibe, effortlessly blending relaxed charm with timeless style. Available in two sizes, its airy design and organic textures evoke the serenity of coastal living while infusing spaces with a laid-back bohemian flair. Whether hung solo or in clusters, the Antera pendant radiates warmth and character, making it an enchanting focal point for any interior seeking a touch of coastal-inspired elegance.

Overview

Family name	Antera
Categories	Pendants
Mounting	Surface
Suspension Type	Cable
Usage	Indoor Lighting

Color / Material

Fixture Color	Black
Fixture Finish	Natural, Matte
Fixture Material	Paper, Iron
Canopy Color	Black
Cable Color	Black
Cable Material	Textile

Size

Fixture Diameter (cm)	40.0
Fixture Height (cm)	20.0
Canopy Diameter (cm)	12.0
Canopy Projection (cm)	2.5
Suspension Length (cm)	200.0
Height Adjustable?	Yes
Cable Length (cm)	200

Specification

Voltage Input	240V
Total Wattage (max)	25

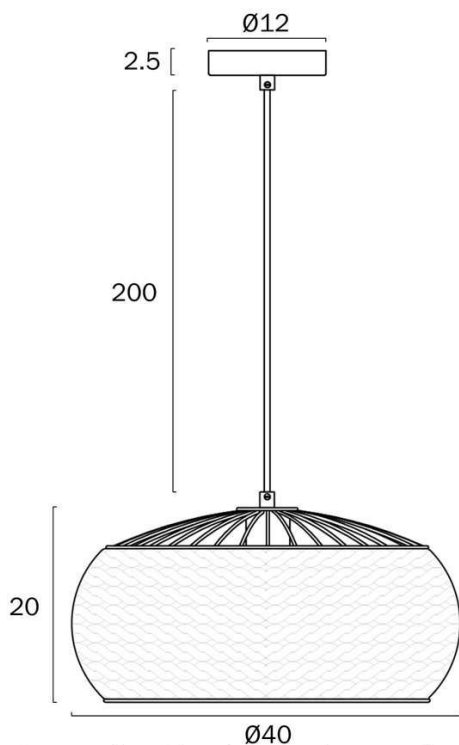
All representations within this document are subject to copyright. ELECTRICAL INSTALLATIONS MUST BE PERFORMED BY A QUALIFIED ELECTRICAL CONTRACTOR AND INSTALLED IN ACCORDANCE WITH AS/NZS 3000.
NOTE : All images , descriptions and dimensions are indicative. Please check latest version of item detail on Telbix website prior to ordering or installation.

Globe Type	E27
Globe / Light Source qty	1
Globe / Light Source included	No
Dimmable	Globe Dependant
Electrical Protection	CLASS I - HIGH VOLTAGE, EARTH REQUIRED
IP rating	IP20
Lead and Plug	No
Approvals	RCM
Assembly Required	Yes
Installation Required	Yes (by Licensed Electrician only)
Care Instructions	Do not use strong liquid cleaners, Wipe clean with a dry cloth
Replacement Warranty	*3 Years

Barcode

GTIN 9329501071991

Image -dimensions



Note: Dimensions are only a guide and may vary due to manufacturing variations.

Last modification 2024-04-04

ANTERA PE40-NAT 9329501072004



The Antera pendant exudes a delightful coastal and boho vibe, effortlessly blending relaxed charm with timeless style. Available in two sizes, its airy design and organic textures evoke the serenity of coastal living while infusing spaces with a laid-back bohemian flair. Whether hung solo or in clusters, the Antera pendant radiates warmth and character, making it an enchanting focal point for any interior seeking a touch of coastal-inspired elegance.

Overview

Family name	Antera
Categories	Pendants
Mounting	Surface
Suspension Type	Cable
Usage	Indoor Lighting

Color / Material

Fixture Color	Natural
Fixture Finish	Natural, Matte
Fixture Material	Paper, Iron
Canopy Color	Black
Cable Color	Black
Cable Material	Textile

Size

Fixture Diameter (cm)	40.0
Fixture Height (cm)	20.0
Canopy Diameter (cm)	12.0
Canopy Projection (cm)	2.5
Suspension Length (cm)	200.0
Height Adjustable?	Yes
Cable Length (cm)	200

Specification

Voltage Input	240V
Total Wattage (max)	25

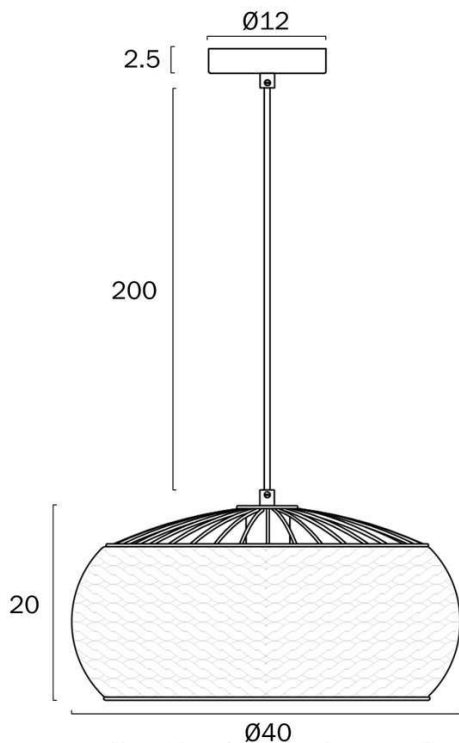
All representations within this document are subject to copyright. ELECTRICAL INSTALLATIONS MUST BE PERFORMED BY A QUALIFIED ELECTRICAL CONTRACTOR AND INSTALLED IN ACCORDANCE WITH AS/NZS 3000.
NOTE : All images , descriptions and dimensions are indicative. Please check latest version of item detail on Telbix website prior to ordering or installation.

Globe Type	E27
Globe / Light Source qty	1
Globe / Light Source included	No
Dimmable	Globe Dependant
Electrical Protection	CLASS I - HIGH VOLTAGE, EARTH REQUIRED
IP rating	IP20
Lead and Plug	No
Approvals	RCM
Assembly Required	Yes
Installation Required	Yes (by Licensed Electrician only)
Care Instructions	Do not use strong liquid cleaners, Wipe clean with a dry cloth
Replacement Warranty	*3 Years

Barcode

GTIN 9329501072004

Image -dimensions



Note: Dimensions are only a guide and may vary due to manufacturing variations.

Last modification 2024-04-04

ANTERA PE60-BK 9329501072011



The Antera pendant exudes a delightful coastal and boho vibe, effortlessly blending relaxed charm with timeless style. Available in two sizes, its airy design and organic textures evoke the serenity of coastal living while infusing spaces with a laid-back bohemian flair. Whether hung solo or in clusters, the Antera pendant radiates warmth and character, making it an enchanting focal point for any interior seeking a touch of coastal-inspired elegance.

Overview

Family name	Antera
Categories	Pendants
Mounting	Surface
Suspension Type	Chain
Usage	Indoor Lighting

Color / Material

Fixture Color	Black
Fixture Finish	Natural, Matte
Fixture Material	Paper, Iron
Canopy Color	Black
Cable Material	Textile

Size

Fixture Diameter (cm)	60.0
Fixture Height (cm)	30.0
Canopy Diameter (cm)	12.0
Canopy Projection (cm)	2.5
Suspension Length (cm)	200.0
Height Adjustable?	Yes
Cable Length (cm)	200

Specification

Voltage Input	240V
Total Wattage (max)	25
Globe Type	E27

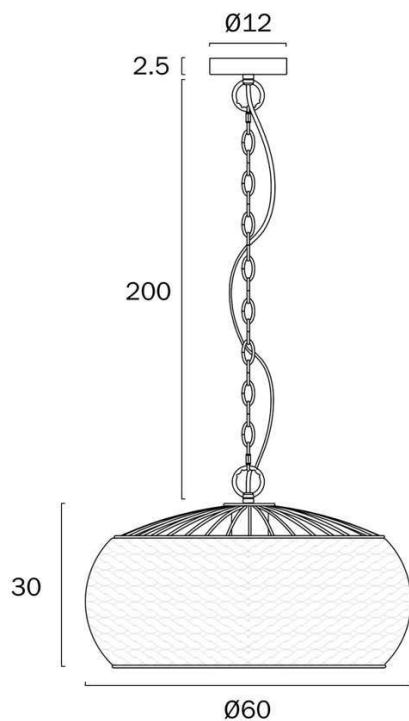
All representations within this document are subject to copyright. ELECTRICAL INSTALLATIONS MUST BE PERFORMED BY A QUALIFIED ELECTRICAL CONTRACTOR AND INSTALLED IN ACCORDANCE WITH AS/NZS 3000.
NOTE : All images , descriptions and dimensions are indicative. Please check latest version of item detail on Telbix website prior to ordering or installation.

Globe / Light Source qty	1
Globe / Light Source included	No
Dimmable	Globe Dependant
Electrical Protection	CLASS I - HIGH VOLTAGE, EARTH REQUIRED
IP rating	IP20
Lead and Plug	No
Approvals	RCM
Assembly Required	Yes
Installation Required	Yes (by Licensed Electrician only)
Care Instructions	Do not use strong liquid cleaners, Wipe clean with a dry cloth
Replacement Warranty	*3 Years

Barcode

GTIN 9329501072011

Image -dimensions



Note: Dimensions are only a guide and may vary due to manufacturing variations.

Last modification 2024-04-04

ANTERA PE60-NAT 9329501072028



The Antera pendant exudes a delightful coastal and boho vibe, effortlessly blending relaxed charm with timeless style. Available in two sizes, its airy design and organic textures evoke the serenity of coastal living while infusing spaces with a laid-back bohemian flair. Whether hung solo or in clusters, the Antera pendant radiates warmth and character, making it an enchanting focal point for any interior seeking a touch of coastal-inspired elegance.

Overview

Family name	Antera
Categories	Pendants
Mounting	Surface
Suspension Type	Chain
Usage	Indoor Lighting

Color / Material

Fixture Color	Natural
Fixture Finish	Natural
Fixture Material	Paper, Iron
Cable Material	Textile

Size

Fixture Diameter (cm)	60.0
Fixture Height (cm)	30.0
Canopy Diameter (cm)	12.0
Canopy Projection (cm)	2.5
Suspension Length (cm)	200.0
Height Adjustable?	Yes
Cable Length (cm)	200

Specification

Voltage Input	240V
Total Wattage (max)	25
Globe Type	E27
Globe / Light Source qty	1

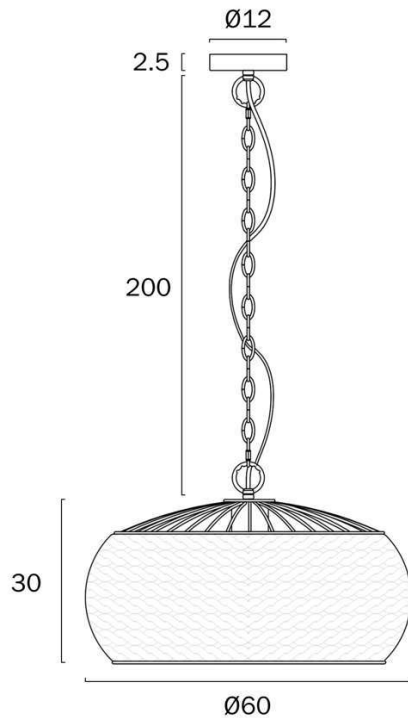
All representations within this document are subject to copyright. ELECTRICAL INSTALLATIONS MUST BE PERFORMED BY A QUALIFIED ELECTRICAL CONTRACTOR AND INSTALLED IN ACCORDANCE WITH AS/NZS 3000.
NOTE : All images , descriptions and dimensions are indicative. Please check latest version of item detail on Telbix website prior to ordering or installation.

Globe / Light Source included	No
Dimmable	Globe Dependant
Electrical Protection	CLASS I - HIGH VOLTAGE, EARTH REQUIRED
IP rating	IP20
Lead and Plug	No
Approvals	RCM
Assembly Required	Yes
Installation Required	Yes (by Licensed Electrician only)
Care Instructions	Do not use strong liquid cleaners, Wipe clean with a dry cloth
Replacement Warranty	*3 Years

Barcode

GTIN 9329501072028

Image -dimensions



Note: Dimensions are only a guide and may vary due to manufacturing variations.