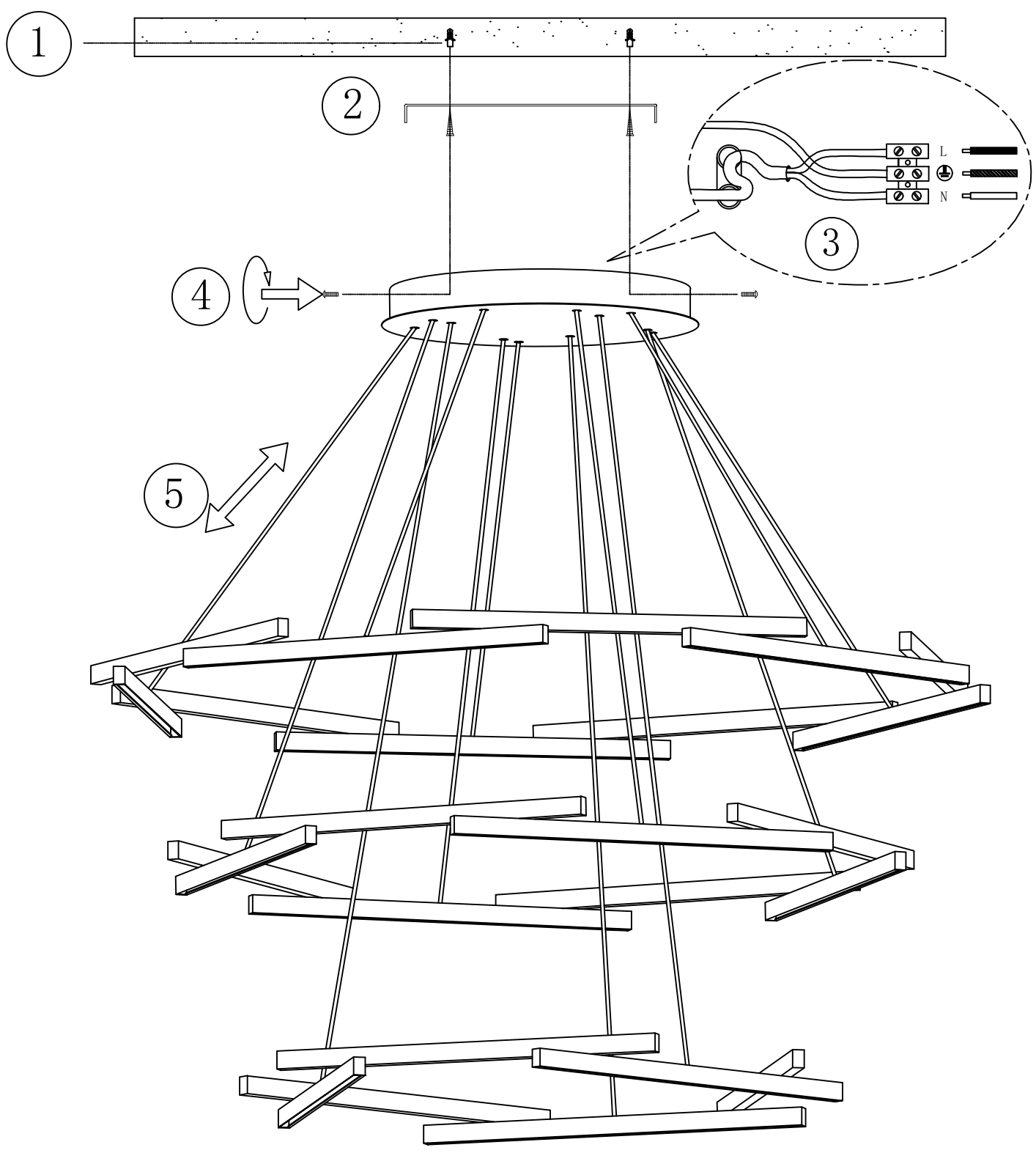


ITEMNO.:TARSON PE3T



240V ~ 50Hz LED 120W
3000K NO-DIM

IMPORTANT
Must be installed by a qualified electrical contractor.
Install in accordance with AS/NZS3000