

Installation Manual

Sunset Round

May 24, 2022 9:46 AM

Variant	Item No.	Description
20880	SUNSET-RND-250	Round 15W LED ceiling light, TRIO Technology.
20881	SUNSET-RND-300	Round 25W LED ceiling light, TRIO Technology.
20882	SUNSET-RND-400	Round 35W LED ceiling light, TRIO Technology.

Thank you for purchasing your new LED SUNSET, Please take the time to read and understand the instruction sheet below. Failure to do so may void warranty.

Specifications

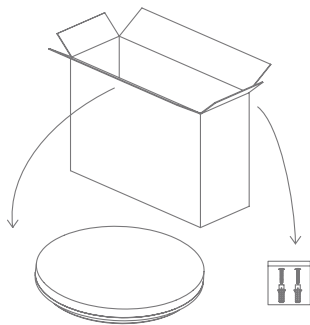
Voltage:	240V	CCT:	3000K - 4000K - 5700K (Switchable)	Dimmable:	Yes*
Power:	15W, 25W, 35W	Beam Angle:	120°	CRI:	≥80
IP Rating:	54	Lifespan:	50,000hrs		

* Fully dimmable with suitable dimmers.

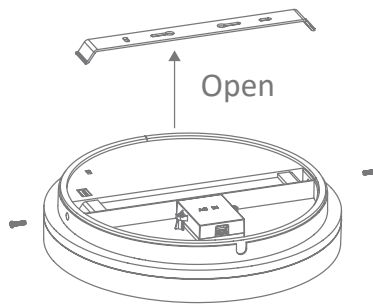
Lumen (±5%):

15W	25W	35W
Warm White 3000K - 1300lm Neutral White 4000K - 1400lm White 5700K - 1320lm	Warm White 3000K - 2160lm Neutral White 4000K - 2410lm White 5700K - 2200lm	Warm White 3000K - 3020lm Neutral White 4000K - 3420lm White 5700K - 3240lm

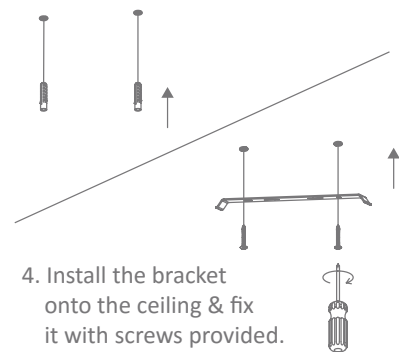
1. Remove ceiling light from the box.



2. Remove the side screws and lift the bracket.

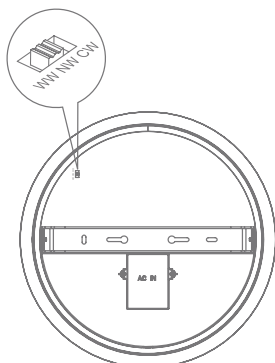


3. Install the bracket onto the ceiling.

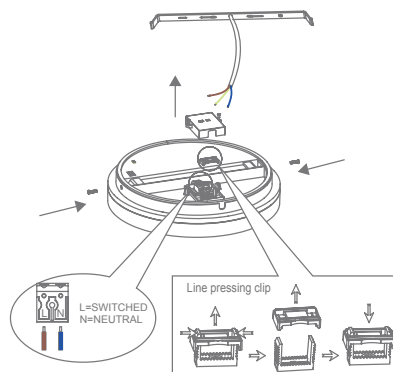


4. Install the bracket onto the ceiling & fix it with screws provided.

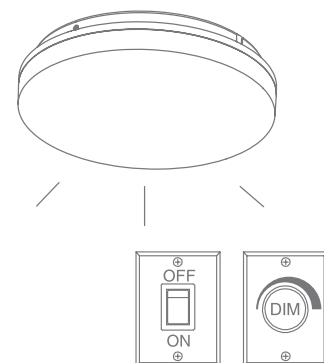
5. Select the desired colour temp.



6. Connect to power and use the clip to fix the cable in place.



7. Switch on the power.



Note: -The lamp must be installed by professional electrician
-Ensure the power supply is switched off before fitting this product

-Do not touch the lamp when in use
-Keep away from hot steam and corrosive gas