

STRAP-PDT

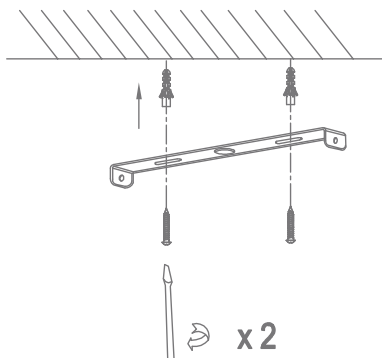
Variants		Item No.
Blk	Wht	
22716	22717	STRAP-PDT

Thank you for purchasing your new STRAP Pendant Light, Please take the time to read and understand the instruction sheet below. Failure to do so may void warranty.

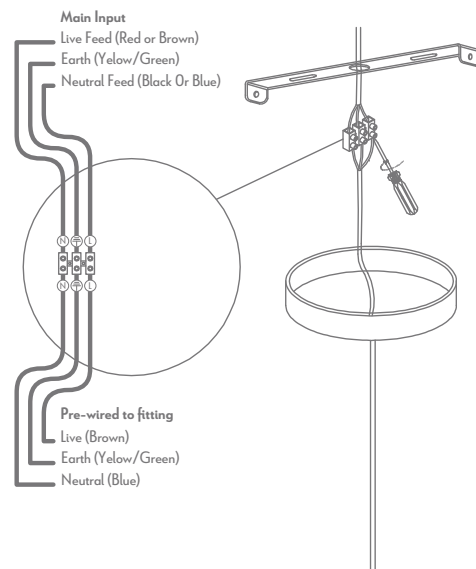
Specifications

Voltage:	240V	Power:	60W Max	Requires:	1xE27 Globe (Not Included)
----------	------	--------	---------	-----------	----------------------------

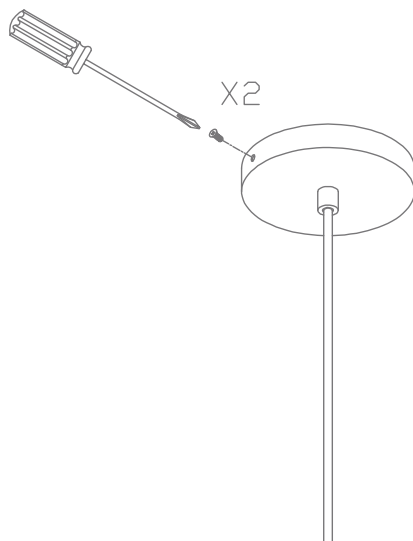
1.



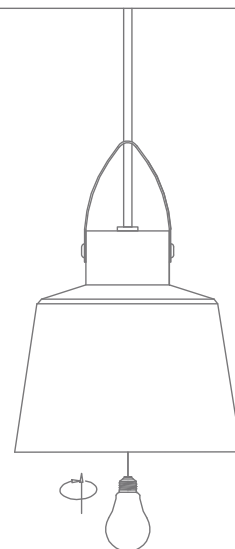
2.



3.



4.



Note: -The lamp must be installed by professional electrician
-Ensure the power supply is switched off before fitting this product

-Do not touch the lamp when in use
-Keep away from hot steam and corrosive gas