

STRAP-FL

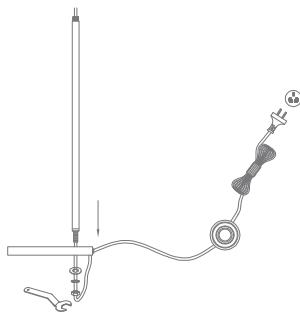
Blk	Variants		Item No.
	Wht		
22718	22719		STRAP-FL

Thank you for purchasing your new STRAP Pendant Light, Please take the time to read and understand the instruction sheet below. Failure to do so may void warranty.

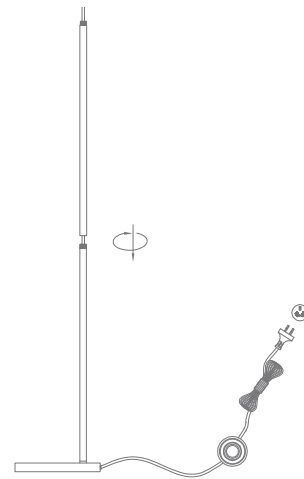
Specifications

Voltage:	240V	Power:	60W Max	Requires:	1xE27 Globe (Not Included)
----------	------	--------	---------	-----------	----------------------------

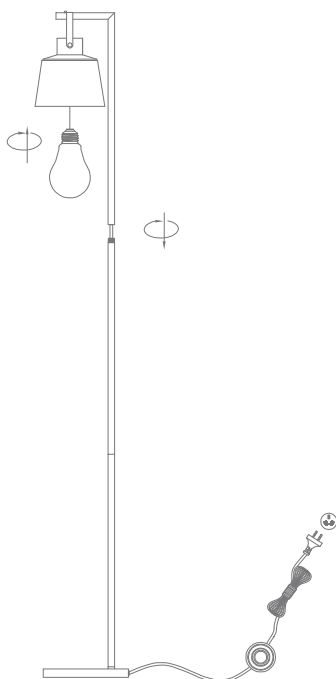
1.



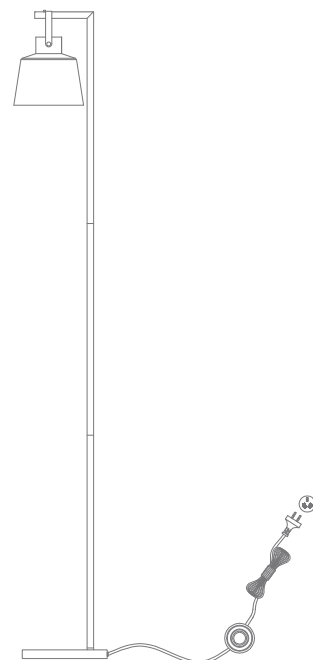
2.



3.



4.



Note: -The lamp must be installed by professional electrician
-Ensure the power supply is switched off before fitting this product

-Do not touch the lamp when in use
-Keep away from hot steam and corrosive gas