

## Installation Manual

### SOLAR-SQR-300

Date:04/2018

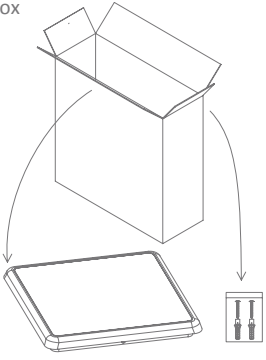
Order Code	Product Code	Description
20944	SOLAR-SQR-300-WHT-TRIO	25W Ceiling Light Oyster, TRIO Technology. Satin White Finish
20946	SOLAR-SQR-300-BLK-TRIO	25W Ceiling Light Oyster, TRIO Technology. Black Finish

Thank you for purchasing your new LED SOLAR-SQR-300, Please take the time to read and understand the instruction sheet below. Failure to do so may void warranty.

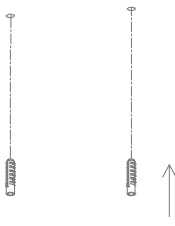
### Specifications

Voltage:	AC 240V	Lumen (±5%):	Warm White 3000K - 2250lm Neutral White 4000K - 2300lm White 5000K - 2350lm	Dimmable:	Yes
Power:	25W	Beam Angle:	120°	Operating Temp:	-20°C~45°C
IP Rating:	54	CCT:	3000K - 4000K - 5700K (Switchable)	Power Factor:	≥0.9
CRI:	≥80	Lifespan:	40,000hrs		

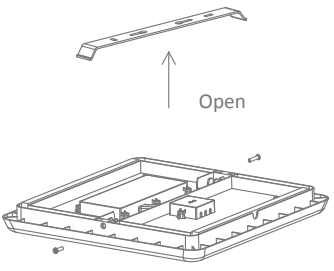
1. Take out ceiling light and accessory pack from box



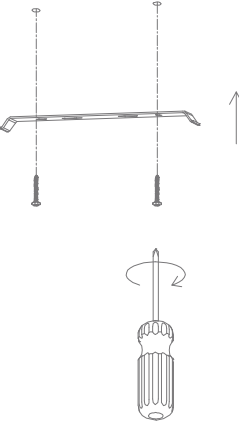
2. Knock-in the plastic anchor into ceiling



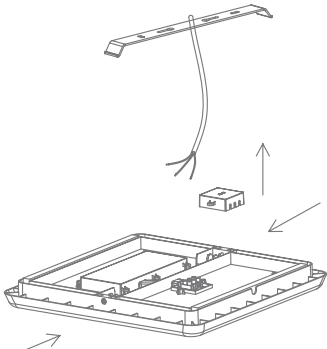
3. Remove screw, take out bracket



4. Fix bracket with screw into the ceiling

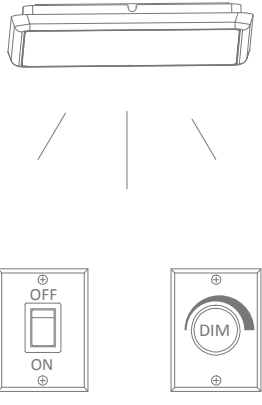


5. Open junction box, wire "L" "N" to terminal block and mount ceiling light into the right place.



L = SWITCHED  
 E = EARTH  
 N = NEUTRAL

6. Switch on



**Note:** -The lamp must be installed by professional electrician  
 -Ensure the power supply is switched off before fitting this product

-Do not touch the lamp when in use  
 -Keep away from hot steam and corrosive gas