

## Installation Manual

### SOLAR-RND-200-TRIO

September 20, 2022 9:31 AM

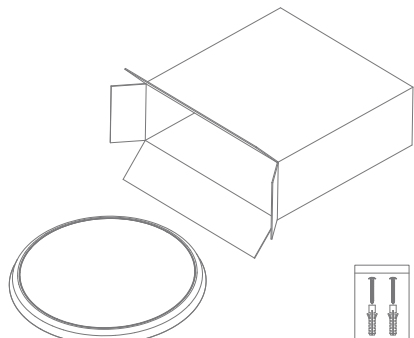
Order Code	Product Code	Description
20938	SOLAR-RND-200-W-TRIO	15W Ceiling Light Oyster, TRIO. Satin White Finish
20939	SOLAR-RND-200-B-TRIO	15W Ceiling Light Oyster, TRIO. Black Finish

Thank you for purchasing your new LED SOLAR-RND-200-TRIO, Please take the time to read and understand the instruction sheet below. Failure to do so may void warranty.

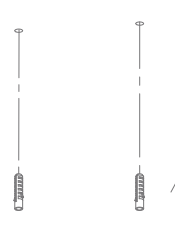
### Specifications

Voltage:	AC 240V	Lumen (±5%):	Warm White 3000K - 1350lm Neutral White 4000K - 1400lm White 5700K - 1450lm	Dimmable:	Yes*
Power:	15W	Beam Angle:	120°	Operating Temp:	-20°C~45°C
IP Rating:	54	CCT:	3000K - 4000K - 5700K (Switchable)	Power Factor:	≥0.9
CRI:	≥80	Lifespan:	40,000hrs		

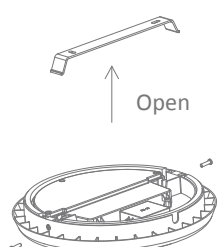
1. Take out ceiling light and accessory pack from box



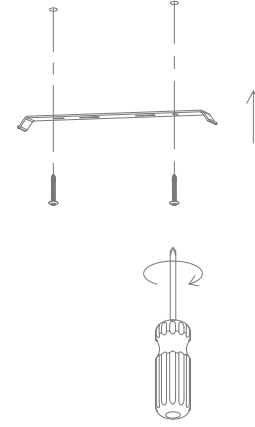
2. Knock-in the plastic anchor into ceiling



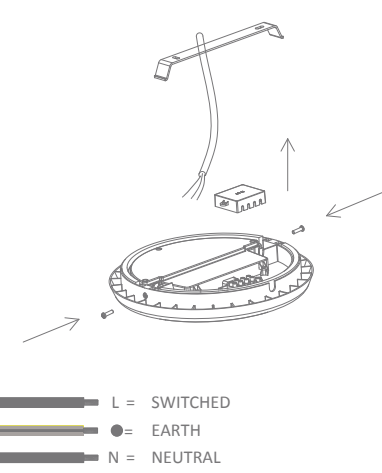
3. Remove screw, take out bracket



4. Fix bracket with screw into the ceiling

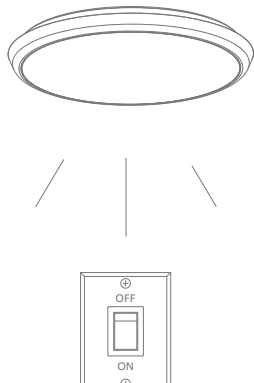


5. Open junction box, wire "L" "N" to terminal block and mount ceiling light into the right place



L = SWITCHED  
 ● = EARTH  
 N = NEUTRAL

6. Switch on



**Note:** -The lamp must be installed by professional electrician  
-Ensure the power supply is switched off before fitting this product

-Do not touch the lamp when in use  
-Keep away from hot steam and corrosive gas