

Installation Manual

SHADOW-2-ADJ

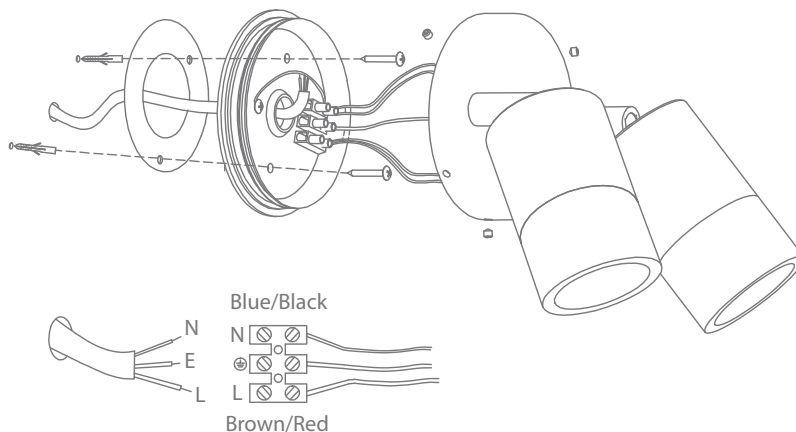
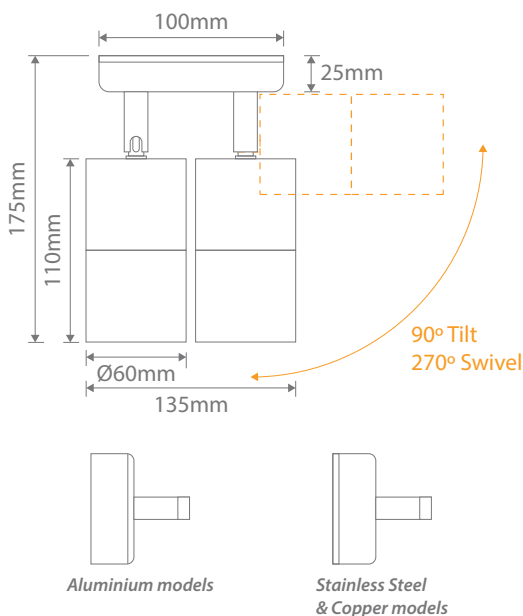
Description: Twin light, adjustable wall light

Variant	Item No.	Finish	CCT
49051	SHADOW-2-ADJ	Black finish	N/A
49160			3000K
49162			5000K
49056			TRIO
49052			N/A
49176			3000K
49178		5000K	
49057		TRIO	
49053		N/A	
49172		3000K	
49174		5000K	
49058		TRIO	
49054		N/A	
49164		3000K	
49166		5000K	
49059		TRIO	
49055		N/A	
49168		3000K	
49170	5000K		
49060	TRIO		

Thank you for purchasing your new SHADOW-2-ADJ, Please take the time to read and understand the instruction sheet below. Failure to do so may void warranty.

Specifications

Voltage:	240V	Power:	2x35W Max	Tilt & Swivel:	90° & 270°
Lamp:	GU10	IP Rating:	65		



Note: -The lamp must be installed by professional electrician
 -Ensure the power supply is switched off before fitting this product

-Do not touch the lamp when in use
 -Keep away from hot steam and corrosive gas