

Installation Manual

SHADOW-1-WB

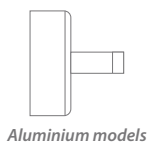
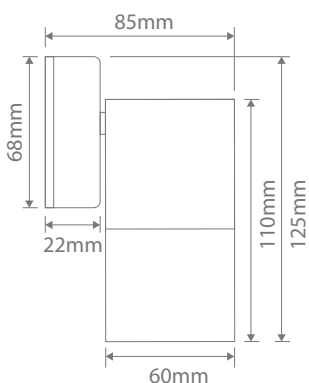
Description: Single light, down wall light

Variant	Item No.	Finish	CCT
49011	SHADOW-1-WB	Black finish	N/A
49138			3000K
49140			5000K
49016			TRIO
49012		White finish	N/A
49156			3000K
49158			5000K
49017			TRIO
49013		Titanium Silver finish	N/A
49150			3000K
49152			5000K
49018			TRIO
49014		Copper finish	N/A
49142			3000K
49144			5000K
49019			TRIO
49015		316 Stainless Steel finish	N/A
49146			3000K
49148			5000K
49020			TRIO

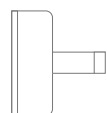
Thank you for purchasing your new SHADOW-1-WB, Please take the time to read and understand the instruction sheet below. Failure to do so may void warranty.

Specifications

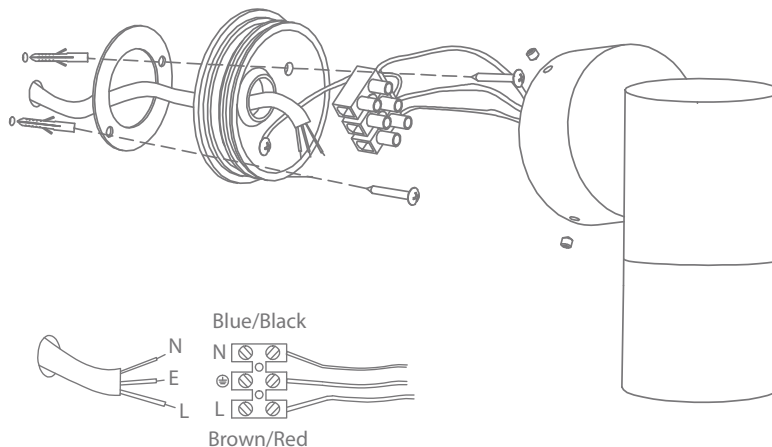
Voltage:	240V	Power:	35W Max
Lamp:	GU10	IP Rating:	65



Aluminium models



Stainless Steel & Copper models



Blue/Black

N

E

L

Brown/Red

Note: -The lamp must be installed by professional electrician
 -Ensure the power supply is switched off before fitting this product

-Do not touch the lamp when in use
 -Keep away from hot steam and corrosive gas