

Installation Manual

SHADOW-1-ADJ

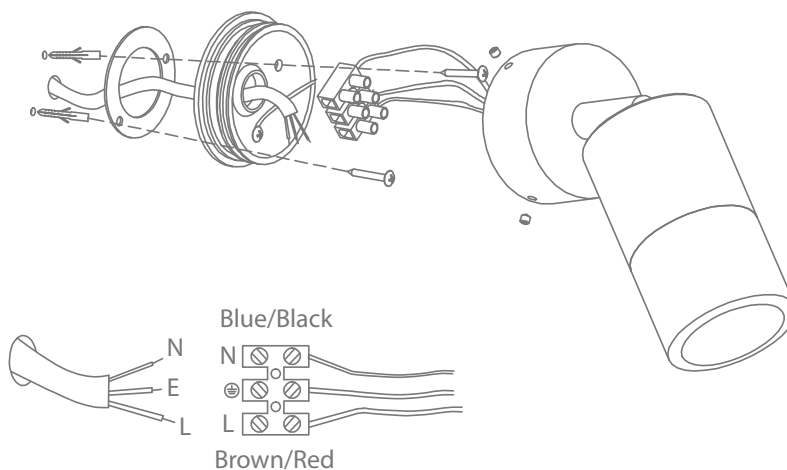
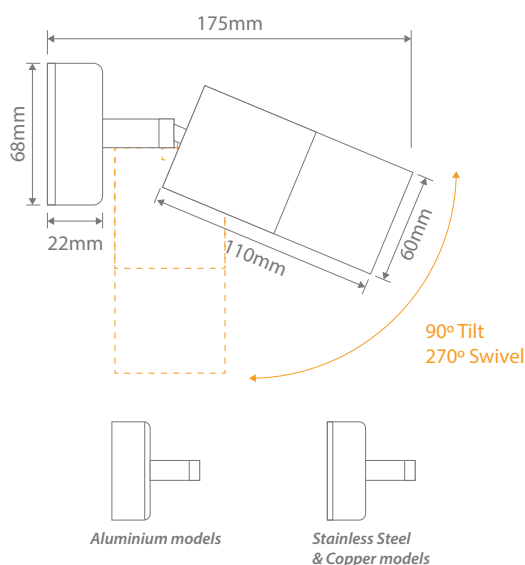
Description: Single light, adjustable wall light

Variant	Item No.	Finish	CCT
49041	SHADOW-1-ADJ	Black finish	N/A
49102			3000K
49104			5000K
49046			TRIO
49042		White finish	N/A
49118			3000K
49120			5000K
49047			TRIO
49043		Titanium Silver finish	N/A
49114			3000K
49116			5000K
49048			TRIO
49044		Copper finish	N/A
49106			3000K
49108			5000K
49049			TRIO
49045		316 Stainless Steel finish	N/A
49110			3000K
49112			5000K
49050			TRIO

Thank you for purchasing your new SHADOW-1ADJ, Please take the time to read and understand the instruction sheet below. Failure to do so may void warranty.

Specifications

Voltage:	240V	Power:	35W Max	Tilt & Swivel:	90° & 270°
Lamp:	GU10	IP Rating:	65		



Note: -The lamp must be installed by professional electrician
 -Ensure the power supply is switched off before fitting this product

-Do not touch the lamp when in use
 -Keep away from hot steam and corrosive gas