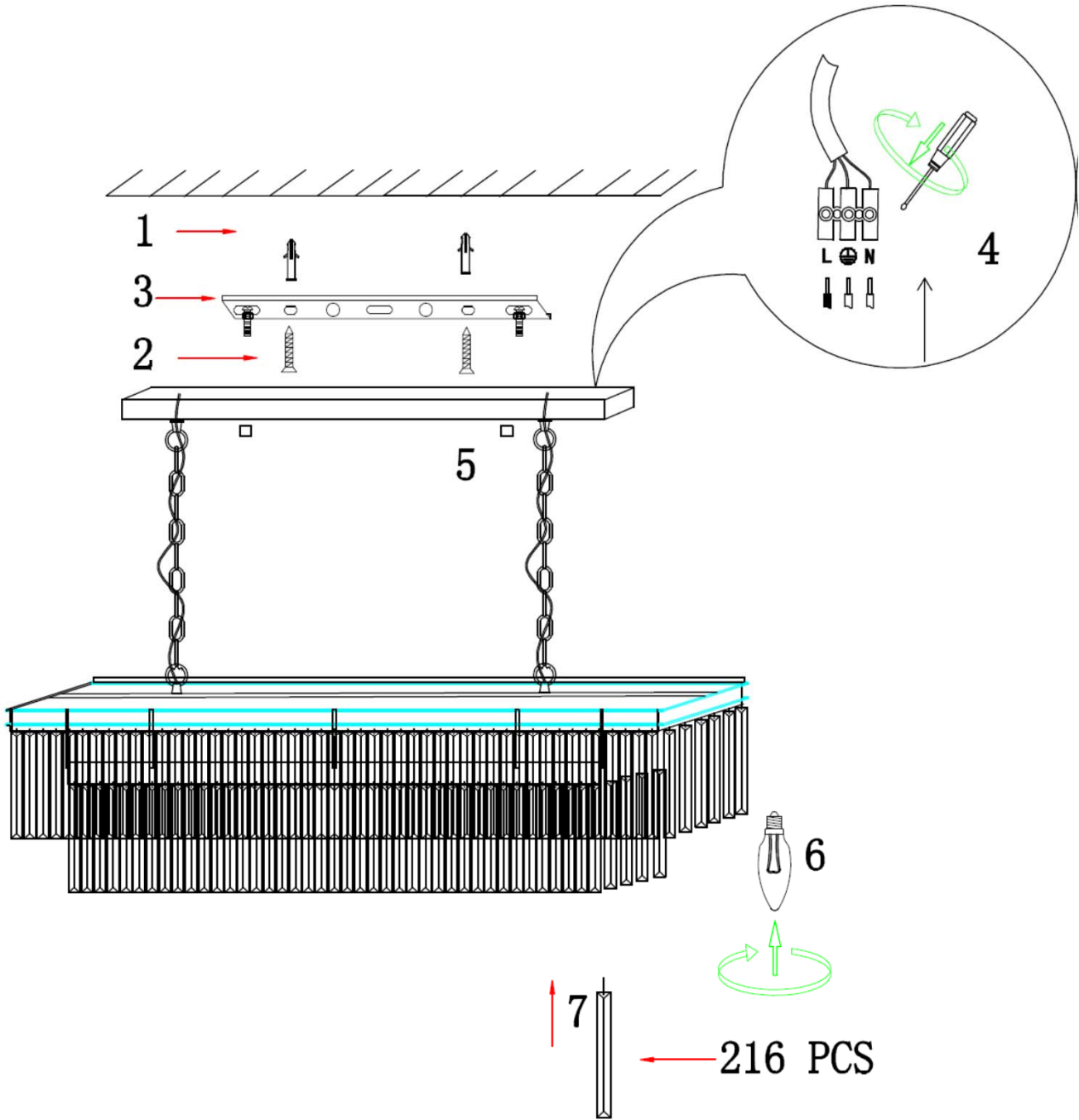


# ITEM NO.:SERENE PE13-BK



240V ~ 50Hz E14 Max.25W x13

**telbix.** NOTE: GLOBE NOT INCLUDED

**IMPORTANT**  
Must be installed by a qualified electrical contractor.  
Install in accordance with AS/NZ3000