



STARPAD II SE7071TC - 15/100W

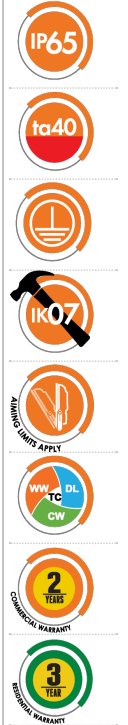
15 -100 watt IP65 LED floodlight with integral selectable colour temperature

Application

A versatile floodlight solution for residential and commercial exterior spaces

Design Specifications

- Robust die-cast aluminium body, IK 07 rated
- Durable black, silver or white powder coated finish
- Textured stalinite diffuser, secured in a robust aluminium body profile with integral breather for optimum system performance
- High efficiency SMD LED chips, non-dimmable LED driver, CRI > 80, CCT selectable 3000, 4000 or 5000K
- High performance optical system, beam distribution 110 degree
- Fitted cable gland with 600 mm 3 core rubber flex (15-30 watt models), 800mm for (50-100 watt models)



Technical Specification

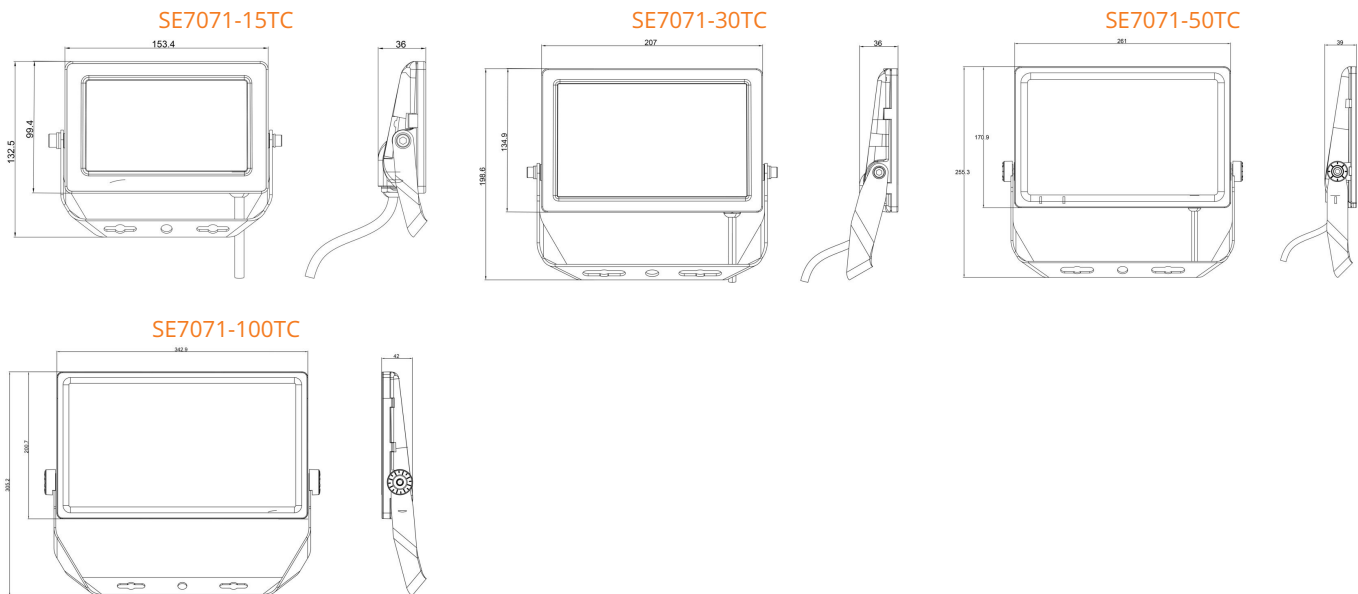
Model No.	Input Voltage (V/AC)	Power (W)	Lumens (lm)	CCT (K)	CRI	Beam Angle (°)
SE7071/15TC2BK	240	15	1575/1800/1650	3000/4000/5000	80	110
SE7071/15TC2SL	240	15	1575/1800/1650	3000/4000/5000	80	110
SE7071/15TC2WH	240	15	1575/1800/1650	3000/4000/5000	80	110
SE7071/30TC2BK	240	30	3150/3600/3300	3000/4000/5000	80	110
SE7071/30TC2SL	240	30	3150/3600/3300	3000/4000/5000	80	110
SE7071/30TC2WH	240	30	3150/3600/3300	3000/4000/5000	80	110
SE7071/50TC2BK	240	50	5250/6000/5500	3000/4000/5000	80	110
SE7071/50TC2SL	240	50	5250/6000/5500	3000/4000/5000	80	110
SE7071/50TC2WH	240	50	5250/6000/5500	3000/4000/5000	80	110
SE7071/100TC2/BK	240	100	10500/12000/11000	3000/4000/5000	80	110
SE7071/100TC2/SL	240	100	10500/12000/11000	3000/4000/5000	80	110
SE7071/100TC2/WH	240	100	10500/12000/11000	3000/4000/5000	80	110

Model No.	Body Colour	Dim (mm)	Mass (kg)
SE7071/15TC2BK	BLACK	153(W) x 99(H) x 36(D)	0.54
SE7071/15TC2SL	SILVER	153(W) x 99(H) x 36(D)	0.54
SE7071/15TC2WH	WHITE	153(W) x 99(H) x 36(D)	0.54
SE7071/30TC2BK	BLACK	207(W) x 135(H) x 36(D)	0.84
SE7071/30TC2SL	SILVER	207(W) x 135(H) x 36(D)	0.84
SE7071/30TC2WH	WHITE	207(W) x 135(H) x 36(D)	0.84
SE7071/50TC2BK	BLACK	261(W) x 171(H) x 39(D)	1.25
SE7071/50TC2SL	SILVER	261(W) x 171(H) x 39(D)	1.25
SE7071/50TC2WH	WHITE	261(W) x 171(H) x 39(D)	1.25
SE7071/100TC2/BK	BLACK	343(W) x 200(H) x 42(D)	2.45
SE7071/100TC2/SL	SILVER	343(W) x 200(H) x 42(D)	2.45
SE7071/100TC2/WH	WHITE	343(W) x 200(H) x 42(D)	2.45

NOTE: dimensions listed exclude trunnion assembly, refer to DIMENSION drawings for details.

Due to continued product and technology enhancements, data sourced from sal.net.au shall not form part of any contract and or technical performance guarantee unless expressly confirmed in writing by SAL at the time of order. Products are sold in accordance with [SAL Terms and Conditions of sale](#) and all images shown are for illustration purposes only and may vary from the actual colour or finish. Unless specifically stated, all IP ratings nominated for Interior products are from "below the ceiling".

Dimensions



POWERSTAR SE7100/600 - 600W



Before selecting a floodlight look out for the marks of Compliance and Safety. Starting with the RCM mark, this signals that the product has been tested to all relevant Australian Safety standards, to ensure the product delivers its designed safety performance.

In addition look out for limits in aiming orientation to ensure the floodlight operates within its design limits and to ensure the product is suitable for such an application.

*Need more information on AS/NZS 60598 safety and compliance?
Check out the SAL web FAQ's or speak to your local SAL team member.*

For related
products
please
scan me

