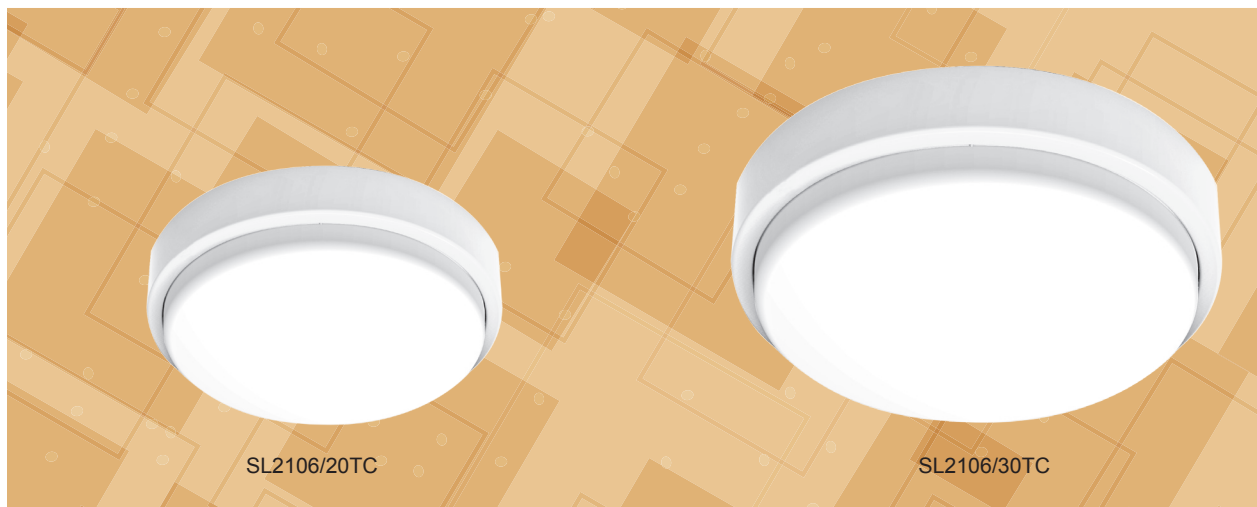


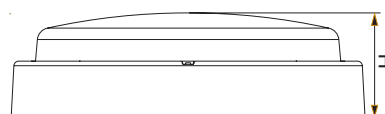
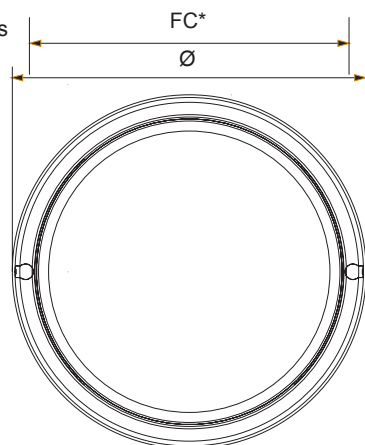
LED OYSTER LIGHT

SL2106TC BENNY



DIMENSIONS

*FC = Fixing Centres



CONSTRUCTION

- Select colour temperature with DIP switch
- Polycarbonate housing
- Opal polycarbonate diffuser
- Double insulation
- High efficiency SMD LED chips
- Built-in constant current non-dimmable LED driver

IP RATING

- IP65 weatherproof

Model No.	Input	Power	Lumen	CCT	CRI	Fitting Colour	Dimensions Ø x H	FC*
SL2106/20TC	240V	10W	800lm	3000K/4000K/6000K	>80	White	220 mm x 65 mm	204 mm
SL2106/30TC	240V	20W	1600lm	3000K/4000K/6000K	>80	White	280 mm x 71 mm	263 mm
SL2106/30TC/S	240V	20W	1600lm	3000K/4000K/6000K	>80	White	280 mm x 71 mm	263 mm
SL2106/40TC	240V	24W	2000lm	3000K/4000K/6000K	>80	White	350 mm x 81 mm	332 mm
SL2106/40TC/C	240V	24W	2000lm	3000K/4000K/6000K	>80	White	350 mm x 81 mm	332 mm

*FC = Fixing Centres



SL2106/40TC

SENSOR MODELS

- Integrated microwave motion sensor

Model No.	Detection Range	Daylight Threshold	Duration
SL2106/30TC/S	100%	Disabled	10 mins.
SL2106/30TC/S1	100%	50 Lux	10 mins.
SL2106/30TC/S2	50%	50 Lux	5 mins.



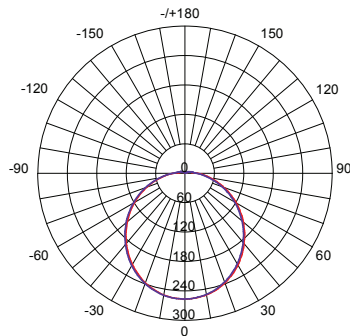
- Integrated microwave motion sensor with standBY function

Model No.	Detection Range	Daylight Threshold	Duration	Standby Level	Standby Period
SL2106/40TC/C	100%	Disabled	12 mins.	20%	30 mins.
SL2106/40TC/C1	100%	50 Lux	6 mins.	30%	30 mins.
SL2106/40TC/C2	100%	50 Lux	6 mins.	20%	24 hrs.

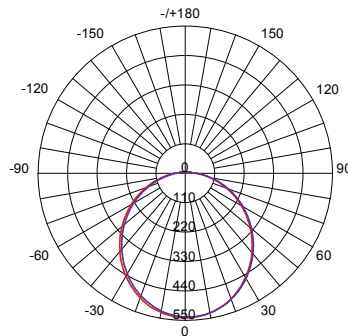


PHOTOMETRIC DATA (AT CCT 4000K) UNIT: cd C0/C180 — C90/C270

SL2106/20TC at 4000K



SL2106/30TC at 4000K



SL2106/40TC at 4000K

