



STARGEM III SES7080/2TC - 2 X 15W

2 x 15 watt IP54 wall mounted LED floodlight with TC selectable colour temperature and PIR sensor

Application

A stylish solution for residential exterior spaces, great for security

Design Specifications

- Robust adjustable black or white aluminium optical head assembly
- Durable polycarbonate mounting base
- Opal polycarbonate diffuser, beam distribution 100 degree,
- CCT colour selectable 3000K/4000K/5700K
- Integral PIR motion sensor, detection distance 12m at 2.5hm, detection angle 180°, manual over-ride function, time and light level adjustments see installation instructions



Performance

In Built Sensor - **YES**
Sensor Type - **PIR**

Technical Specification

Model No.	Input Voltage (V/AC)	Power (W)	Lumens (lm)	CCT (K)	CRI	Beam Angle (°)
SES7080/2TC/BK	240	30	1200/1300/1250	3000/4000/5700	80	100
SES7080/2TC/WH	240	30	1200/1300/1250	3000/4000/5700	80	100

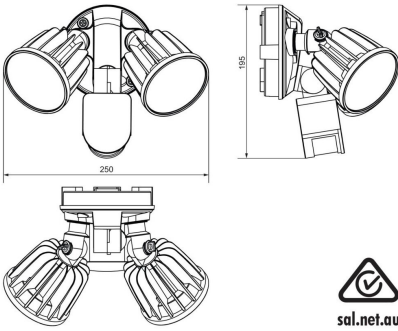
Model No.	Body Colour	Mass (kg)
SES7080/2TC/BK	BLACK	0.4
SES7080/2TC/WH	WHITE	0.4

Lumens shown are (per optical head)

Due to continued product and technology enhancements, data sourced from sal.net.au shall not form part of any contract and or technical performance guarantee unless expressly confirmed in writing by SAL at the time of order. Products are sold in accordance with [SAL Terms and Conditions of sale](#) and all images shown are for illustration purposes only and may vary from the actual colour or finish. Unless specifically stated, all IP ratings nominated for Interior products are from "below the ceiling".

Dimensions

SES7080/2TC



POWERSTAR SE7100/600 - 600W



Before selecting a floodlight look out for the marks of Compliance and Safety. Starting with the RCM mark, this signals that the product has been tested to all relevant Australian Safety standards, to ensure the product delivers its designed safety performance.

In addition look out for limits in aiming orientation to ensure the floodlight operates within its design limits and to ensure the product is suitable for such an application.

*Need more information on AS/NZS 60598 safety and compliance?
Check out the SAL web FAQ's or speak to your local SAL team member.*

For related
products
please
scan me

