



MASTER DIGITAL DIMMER SDD350UM

MASTER - universal digital dimmer

Application

Smart lighting controls for residential and commercial applications

Design Specifications

- Push button control trailing or leading edge digital dimming, GREEN LED indicator for TE mode and RED for LE mode. Colour temperature selection functionality is achieved when used with SAL S9841 or S9842 downlights
- Multiple-location dimming by connecting SDD350UM with any number of secondary dimmers SDD300US can be achieved.
- Fits most popular switch plates, three complimentary mech caps provided
- Overheating and over current protection, full short circuit protection, supports ceiling sweep & exhaust fan < 60 watt loads
- Programmable minimum brightness level
- Compliant to AS/NZS60669.2.1 and supports ceiling sweep & exhaust fan < 60 watt loads



Performance

Dimmable - **YES**

Dimmer Type - **Digital, Trailing edge & Leading edge**

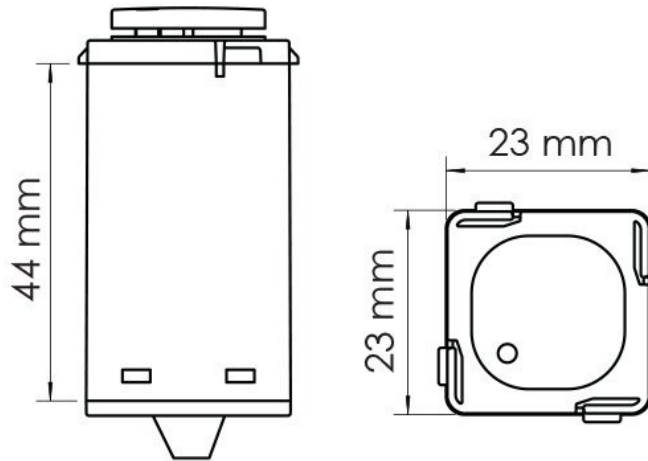
Technical Specification

Model No.	Input Voltage (V/AC)	Dim (mm)	Body Colour
SDD350UM	240	44(L) x 23(W) x 23(H)	WHITE

Due to continued product and technology enhancements, data sourced from sal.net.au shall not form part of any contract and or technical performance guarantee unless expressly confirmed in writing by SAL at the time of order. Products are sold in accordance with [SAL Terms and Conditions of sale](#) and all images shown are for illustration purposes only and may vary from the actual colour or finish. Unless specifically stated, all IP ratings nominated for Interior products are from "below the ceiling".

Dimensions

Dimensions



Wiring Diagram

