

Last modification 2022-11-26

## RANA TL30NAT KIT 9329501065181



The Rana family is a high-quality construction of hand-woven rattan material forming a teardrop shaped shade. When illuminated, textured shadowing will enliven surrounding surfaces giving a wonderful accent to your living space. The Rana family includes pendant, table and floor lamp variations.

### Overview

|                    |                 |
|--------------------|-----------------|
| <b>Family name</b> | Rana            |
| <b>Categories</b>  | Table Lamp      |
| <b>Usage</b>       | Indoor Lighting |

### Color / Material

|                         |               |
|-------------------------|---------------|
| <b>Fixture Color</b>    | Natural,White |
| <b>Fixture Material</b> | Iron,Rattan   |
| <b>Shade Color</b>      | Natural       |
| <b>Shade Material</b>   | Rattan        |
| <b>Base Color</b>       | White         |
| <b>Base Material</b>    | Iron          |
| <b>Cable Color</b>      | Black         |
| <b>Cable Material</b>   | PVC           |

### Size

|                              |                            |
|------------------------------|----------------------------|
| <b>Fixture Diameter (cm)</b> | 30.0                       |
| <b>Fixture Height (cm)</b>   | 50.5                       |
| <b>Base Diameter (cm)</b>    | 24.5                       |
| <b>Base Height (cm)</b>      | 21.8                       |
| <b>Shade Diameter (cm)</b>   | 30.0                       |
| <b>Shade Height (cm)</b>     | 32.0                       |
| <b>Height Adjustable?</b>    | No                         |
| <b>Cable Length (cm)</b>     | 182 (30+Inline Switch+150) |

### Specification

|                      |      |
|----------------------|------|
| <b>Voltage Input</b> | 240V |
| <b>Wattage (max)</b> | 25   |

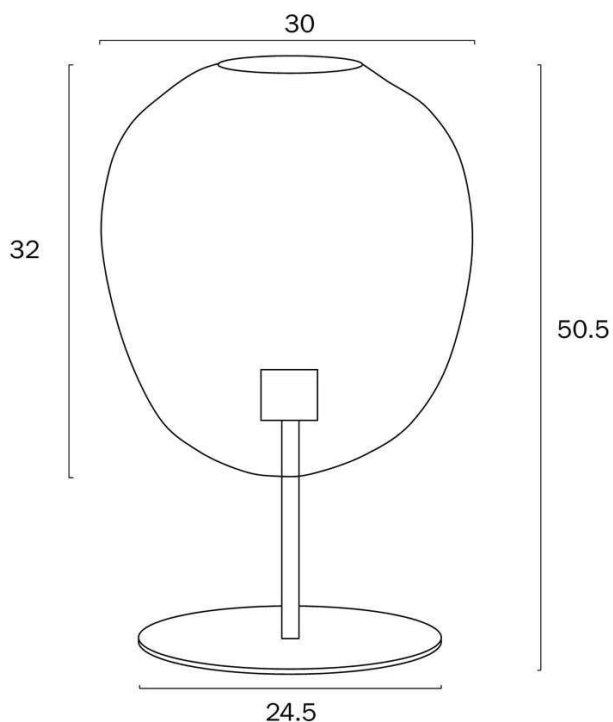
All representations within this document are subject to copyright. ELECTRICAL INSTALLATIONS MUST BE PERFORMED BY A QUALIFIED ELECTRICAL CONTRACTOR AND INSTALLED IN ACCORDANCE WITH AS/NZS 3000.  
NOTE : All images , descriptions and dimensions are indicative. Please check latest version of item detail on Telbix website prior to ordering or installation.

|                                      |   |
|--------------------------------------|---|
| <b>Globe Type</b>                    | E27   |
| <b>Globe / Light Source qty</b>      | 1   |
| <b>Globe / Light Source included</b> | No  |
| <b>Electrical Protection</b>         | CLASS II - DOUBLE INSULATED, EARTH NOT REQUIRED               |
| <b>Approvals</b>                     | RCM   |
| <b>Assembly Required</b>             | Yes   |
| <b>Box Contents</b>                  | Instruction   |
| <b>Care Instructions</b>             | Do not use strong liquid cleaners,Wipe clean with a dry cloth |
| <b>Replacement Warranty</b>          | *3 Years  |

## Barcode

**GTIN** 9329501065181

## Image -dimensions



Note: Dimensions are only a guide and may vary due to manufacturing variations.

