



Pipe-60

1.7M LED Linear Pendant

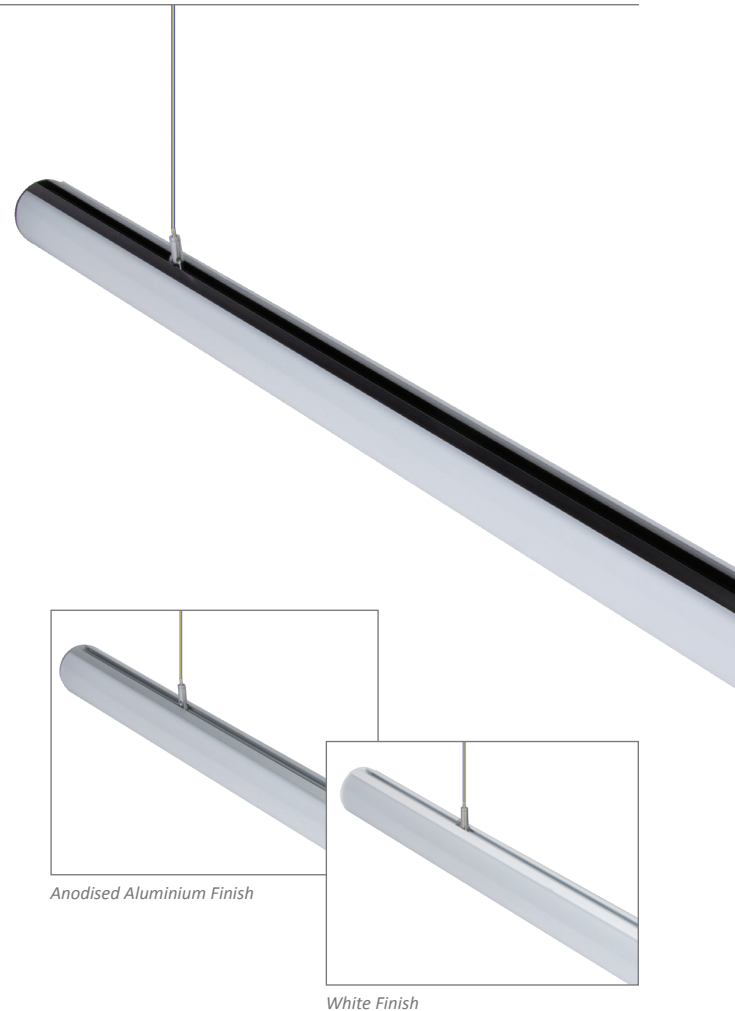
Description

The PIPE-60 is the latest in our Linear LED Pendant range. Incorporating a full wrap around opal diffuser and available in anodized aluminium, powder coated black or powder coated white in two lengths as standard: 1.2M and 1.7M (custom lengths available upon request). Proudly assembled and powder coated in Australia, the profile includes remote mount Driver and Plex-19.2 strip. The PIPE-60 pendants can be used in many applications ranging from commercial projects through to retail area spacing and residential living areas. Supplied with remote driver which needs to be mounted separately.

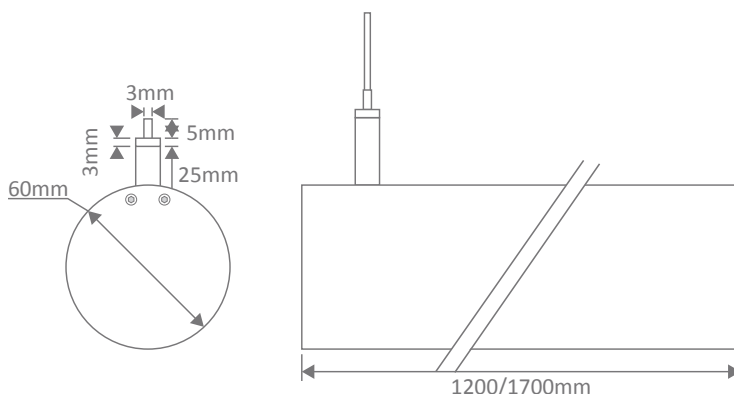
Specification Features

- Input Voltage: 240V
- Power (W): 31
- IP rating (IP): 20
- Lumens (lm): Warm White 3000K - 2349lm
Neutral White 4000K - 2546lm
White 5000K - 2546lm
- LED type: SMD
- CCT: 3000K - 4000K - 5000K
- CRI: ≥80
- Beam angle (°): 120°
- Dimmable: No
- Lifespan (hrs): 50,000hrs

*Note: This product is made to order and may have a lead time.
Note: LED Driver must be installed in the ceiling remotely (please consult your electrician before installing).*



Diagrams / Additional



Item No.	Variant	Colour
PIPE-60-1.7M-ALU	23125	3000K
	23126	4000K
	23127	5000K

Item No.	Variant	Colour
PIPE-60-1.7M-BLK	23130	3000K
	23131	4000K
	23132	5000K

Item No.	Variant	Colour
PIPE-60-1.7M-WHT	23135	3000K
	23136	4000K
	23137	5000K



Pipe-60

1.2M LED Linear Pendant

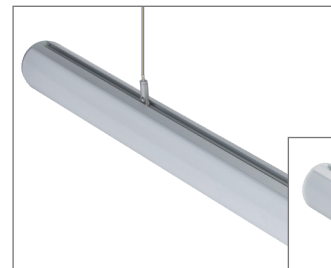
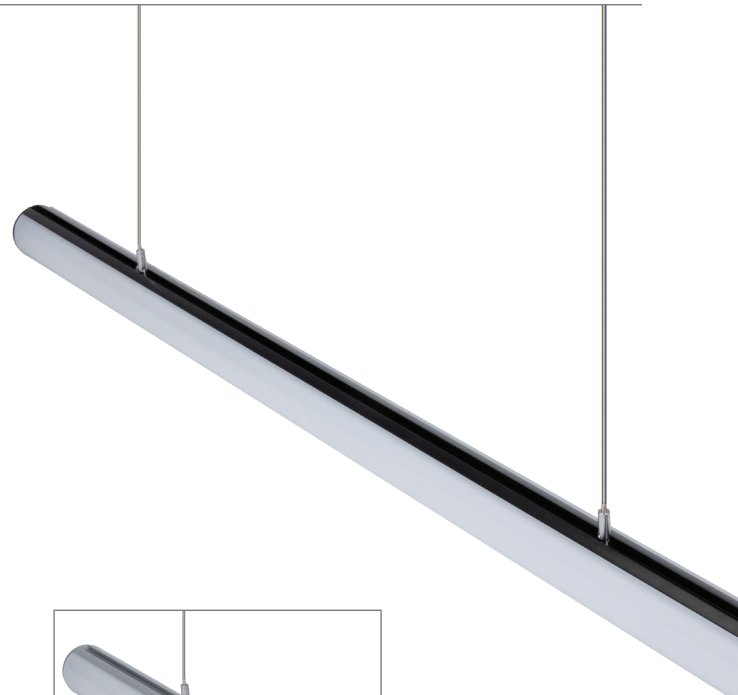
Description

The PIPE-60 is the latest in our Linear LED Pendant range. Incorporating a full wrap around opal diffuser and available in anodised aluminium, powder coated black or powder coated white in two lengths as standard: 1.2M and 1.7M (custom lengths available upon request). Proudly assembled and powder coated in Australia, the profile includes remote mount Driver and Plex-19.2 strip. The PIPE-60 pendants can be used in many applications ranging from commercial projects through to retail area spacing and residential living areas.

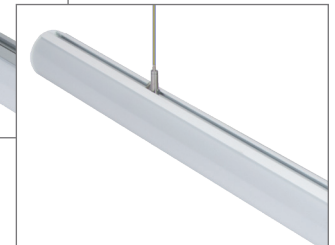
Specification Features

- Input Voltage: 240V
- Power (W): 21
- IP rating (IP): 20
- Lumens (lm): Warm White 3000K - 1658lm
Neutral White 4000K - 1797lm
White 5000K - 1797lm
- LED type: SMD
- CCT: 3000K - 4000K - 5000K
- CRI: ≥80
- Beam angle (°): 120°
- Dimmable: No
- Lifespan (hrs): 50,000hrs

*Note: This product is made to order and may have a lead time.
Note: LED Driver must be installed in the ceiling remotely (please consult your electrician before installing).*

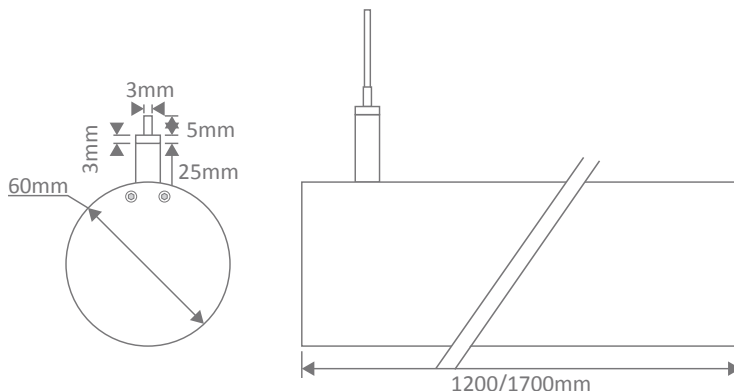


Anodised Aluminium Finish



White Finish

Diagrams / Additional



Item No.	Variant	Colour
PIPE-60-1.2M-ALU	23110	3000K
	23111	4000K
	23112	5000K

Item No.	Variant	Colour
PIPE-60-1.2M-BLK	23115	3000K
	23116	4000K
	23117	5000K

Item No.	Variant	Colour
PIPE-60-1.2M-WHT	23120	3000K
	23121	4000K
	23122	5000K