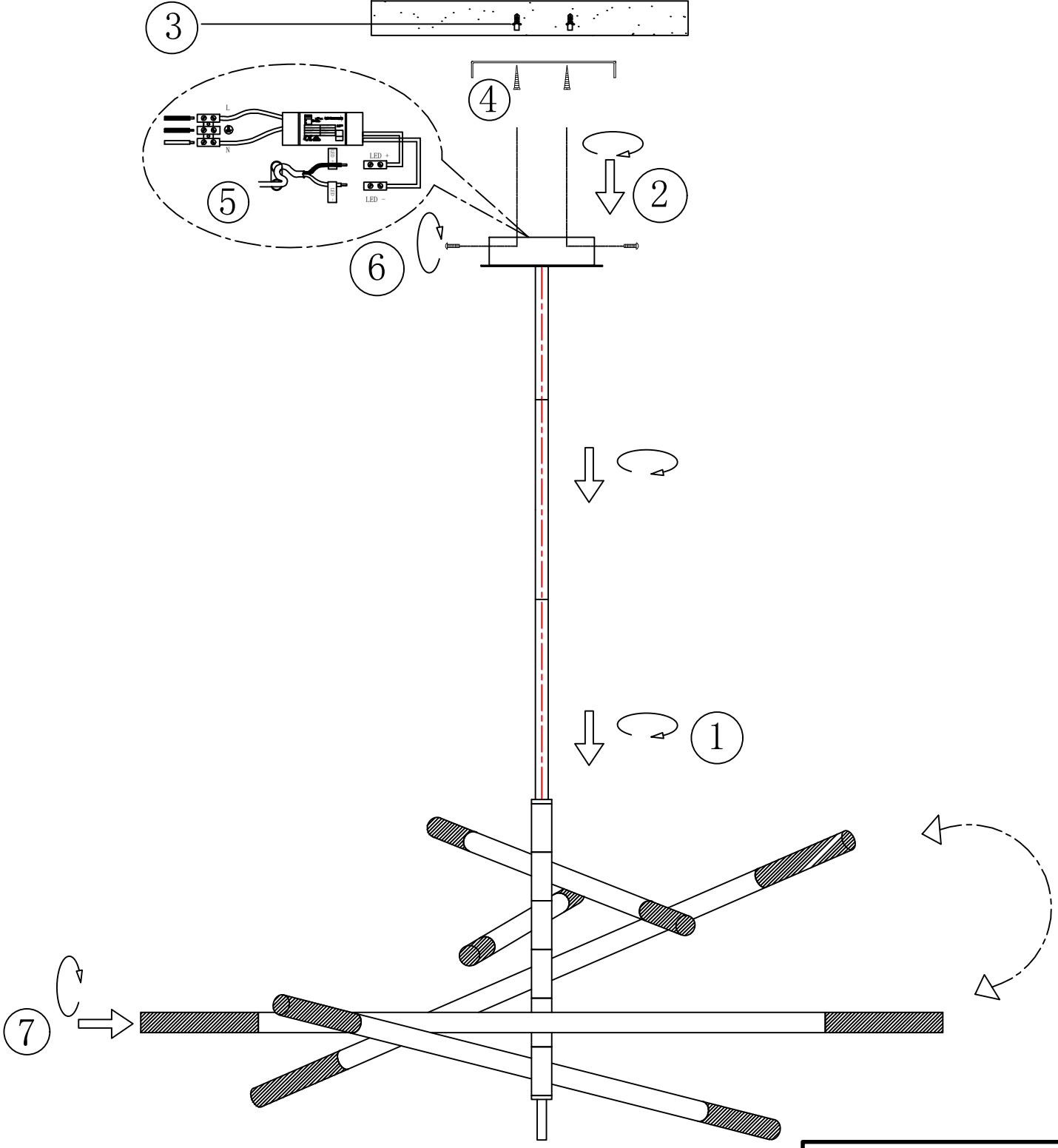


ITEM NO.: PINTA PE10



IMPORTANT
Must be installed by a qualified electrical contractor.
Install in accordance with AS/NZS3000



Telbix.

240V ~ 50Hz LED 3Wx10
3000K NO-DIM