

DEFENDER



10W Exterior Single LED Security Light



IP Rating



COB LED Technology



Replacement Warranty



MLXD3451M

FEATURES

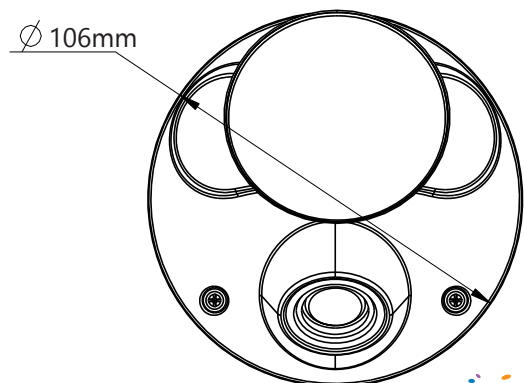
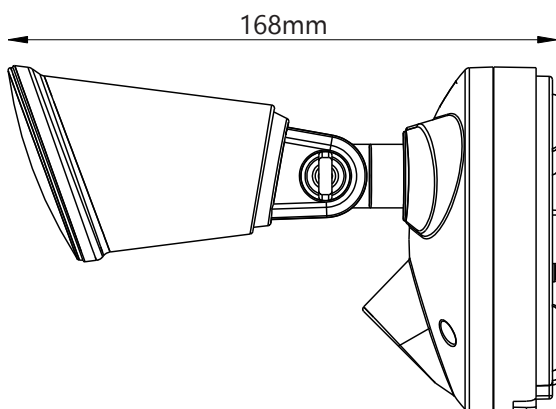
- /// 2 Years replacement warranty
- /// Durable ABS & die-cast construction
- /// Vertical & horizontal adjustable head
- /// Low heat output
- /// Quick connect system for fast & easy installation

TECHNICAL INFORMATION

Power: 10W
Voltage: 220-240V AC
Colour Temperature: Tricolour 3000K, 4000K or 5000K
Lumens: 900 - 1000lm
Size: 168mm x 106mm x 106mm
Beam Angle: 100°
IP Rating: IP54
Approx Lamp Life: >25000H



MLXD3451W



DEFENDER



10W Exterior Single LED Security Light With Sensor



IP Rating



COB LED Technology



Replacement Warranty

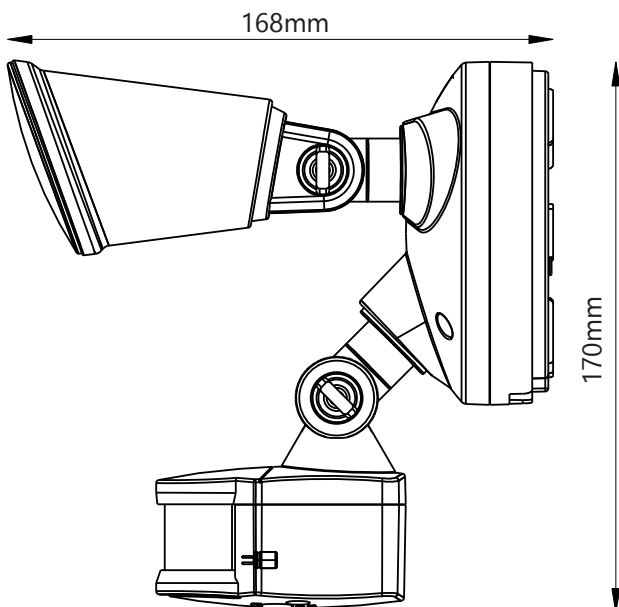


FEATURES

- /// 2 Years replacement warranty
- /// Durable ABS & die-cast construction
- /// PIR Sensor
- /// Adjustable time delay, lux level & sensitivity
- /// Vertical & horizontal adjustable head
- /// Low heat output
- /// Quick connect system for fast & easy installation

TECHNICAL INFORMATION

Power: 10W
Voltage: 220-240V AC
Colour Temperature: Tricolour 3000K, 4000K or 5000K
Lumens: 900 - 1000lm
Size: 168mm x 170mm x 106mm
Beam Angle: 100°
IP Rating: IP54
Approx Lamp Life: >25000H



MLXD3451MS



MLXD3451WS

