

## MOON TRACK

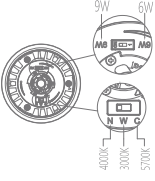
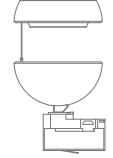
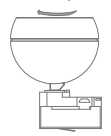
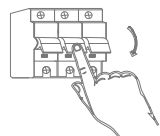

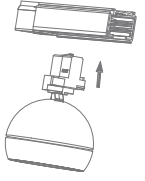
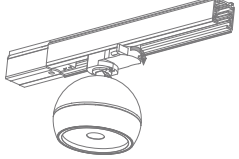
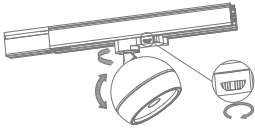
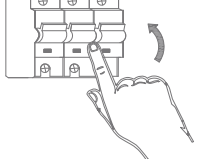
Variants		Item No.	Colour Temp
Blk	Wht		
22796	22797	MOON-TRK	TRIO
22798	22999		
22800	22801		
22802	22803		
			FLD
			OPAL
			SPOT
			TUBE

Thank you for purchasing your new MOON-TRK Light, Please take the time to read and understand the instruction sheet below. Failure to do so may void warranty.

### Specifications

Voltage:	240V	CCT:	3000K - 4000K - 5700K (Switchable)	Dimmable:	Yes	Lifespan:	50,000hrs
Power:	6/9W	IP Rating:	20	CRI:	>80		

Please refer to the data sheet for lumen output.

Optional Optics:		01 Flood	02 Spot	03 Opal	04 Tube				
<p>1 Select suitable CCT / Power you need.</p> 		<p>2 Select the optics, then lock the safety wire.</p> 		<p>3 Rotate the optics on the LED engine in clockwise direction, make sure it was locked until you hear "click".</p> 		<p>4 Turn off the power.</p> 			
<p>5 Check if the track light suitable with track rail, make sure the track rail is wired correctly and fixed well.</p> 		<p>6 Insert the track adapter into the track rail under the correct direction.</p> 		<p>7 Fix the track adapter in the track rail.</p> 		<p>8 Adjust the angle.</p> 		<p>9 Turn on the power.</p> 	

**Note:** -The lamp must be installed by professional electrician  
-Ensure the power supply is switched off before fitting this product

-Do not touch the lamp when in use  
-Keep away from hot steam and corrosive gas