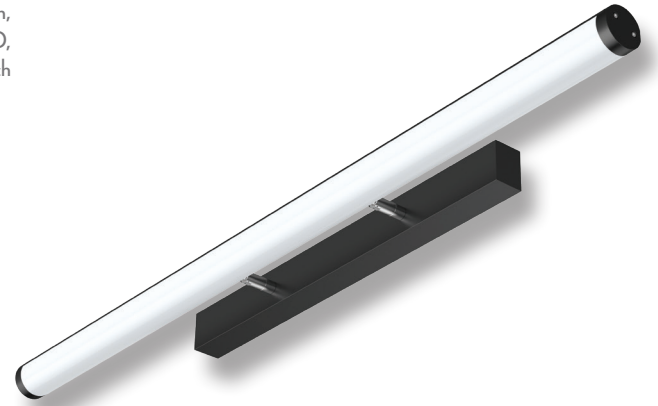


MIRROR-15 LED Wall Light

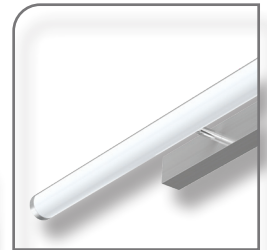


Description

The Mirror-15 LED tubular wall light incorporates a ridged aluminium body and tubular opal-frost polycarbonate diffuser, complete with chrome adjustable knuckles. A new modern design, ideal for illuminating mirrors, pictures or any wall lighting application. Also available with TRIO, the added option of changing the colour temperature of the wall light with a small dip switch on the side end cap.



White



Satin Chrome

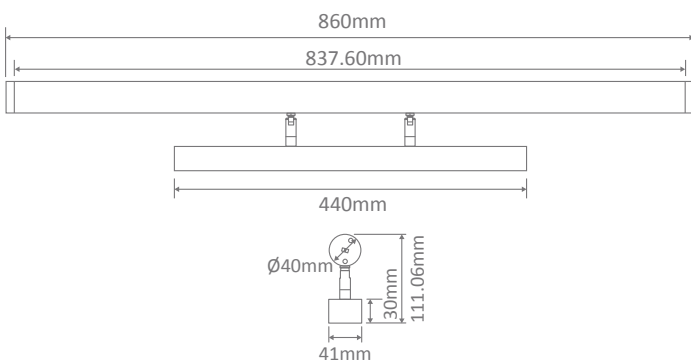


Chrome

Specification Features

Input Voltage:	240V AC
Power (W):	15W
IP rating (IP):	IP40
Lumens (lm):	Warm White 3000K - 1590lm Neutral White 4000K - 1718lm White 5700K - 1845lm
LED type:	SMD
CCT:	3000K - 4000K - 5700K (Switchable)
CRI:	≥80
Beam angle (°):	120°
Dimmable:	No
Lifespan (hrs):	50,000hrs

Diagrams / Additional



Item No.	Variant	Colour	CCT
MIRROR-15	12011	Black	TRIO
	12013	Chrome	TRIO
	12015	Satin Chrome	TRIO
	12017	White	TRIO

