

MAX-35

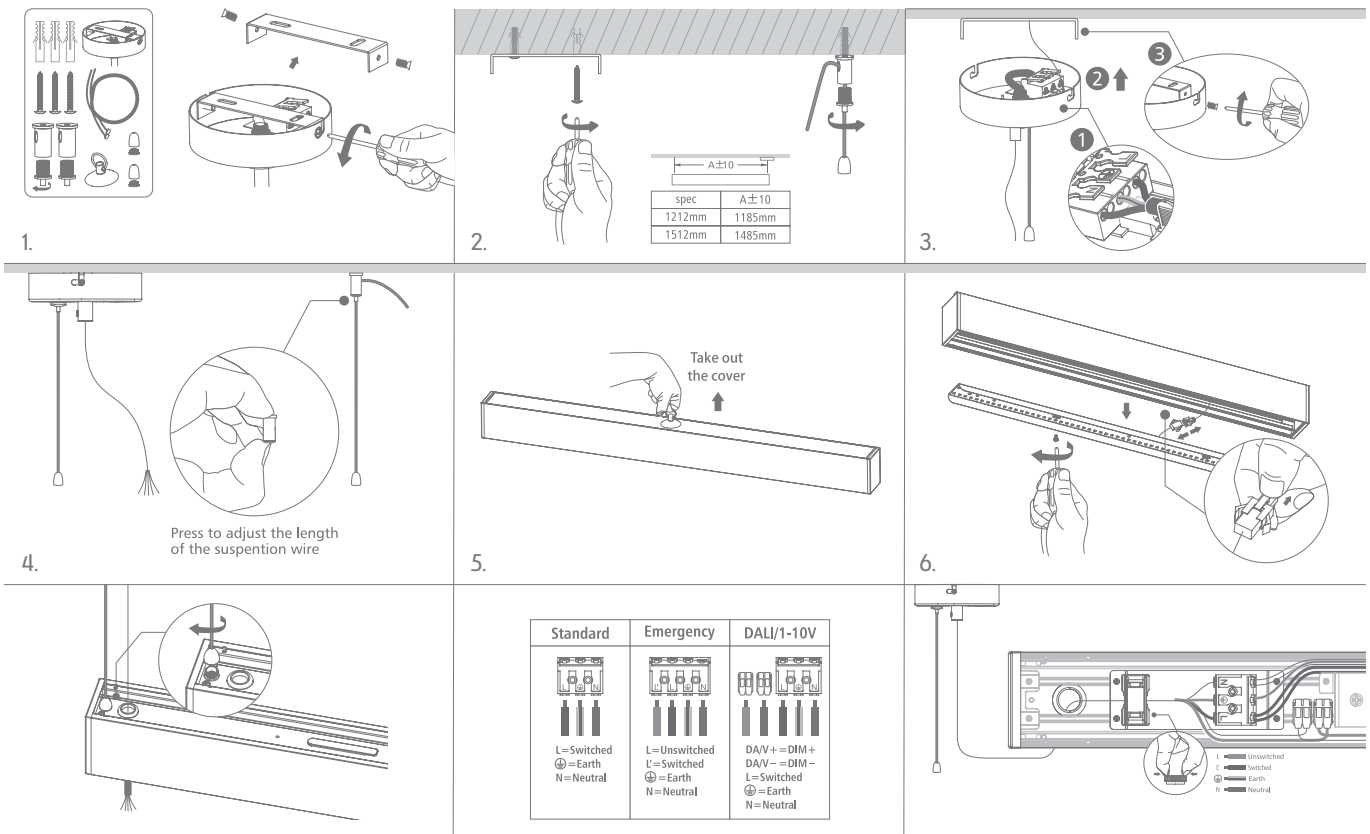
Date: March 14, 2022 2:41 PM

Variants		Item No.	Colour Temp
Blk	Wht		
22648	22649	MAX-35-1.2M	TRIO
22651	22652	MAX-35-1.7M	

Thank you for purchasing your new MAX-35 Pendant Light, Please take the time to read and understand the instruction sheet below. Failure to do so may void warranty.

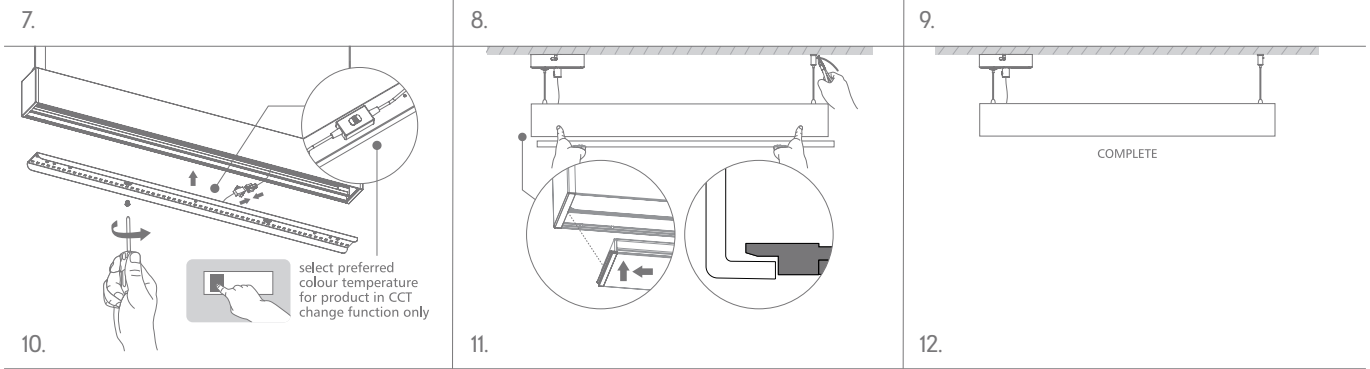
Specifications

			1.2mt	1.7mt
Voltage:	240V	Power (W):	30W	40W
IP Rating:	20	Lumens (lm): "Opal"	WW 3000K - 2800lm NW 4000K - 3000lm W 5700K - 3050lm	WW 3000K - 3500lm NW 4000K - 3700lm W 5700K - 3750lm
LED Type:	SMD	Lumens (lm): "Honeycomb"	WW 3000K - 1050lm NW 4000K - 1200lm W 5700K - 1400lm	WW 3000K - 1500lm NW 4000K - 1700lm W 5700K - 1900lm
CCT:	3000K - 4000K - 5700K	Beam Angle:	80° (Opal) 60° (Honeycomb)	
CRI:	≥80	Dimmable:	Fully dimmable with suitable dimmers	
Lifespan (hrs):	50,000hrs			



Note: -The lamp must be installed by professional electrician
-Ensure the power supply is switched off before fitting this product

-Do not touch the lamp when in use
-Keep away from hot steam and corrosive gas



Extension Adaptor

