

60W E27 EXTERIOR WALL LIGHT



Model Numbers

MLXVE27FLM - Matt Black
MLXVE27FSM - Matt Black
MLXVE27WBM - Matt Black

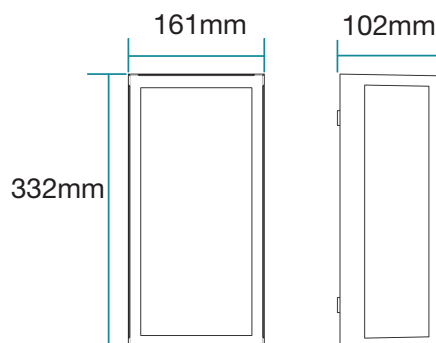
Features

- Modern decorative IP44 exterior wall light
- Ideal lighting solution for area around the house, pathways and entrance areas
- Robust die-cast aluminium frame with clear tempered glass
- Ease of wiring with terminal block connectors
- Compatible with E27 lamp (globes not included)
- Supplied with mounting plate (MLXVE27FLM & MLXVE27FSM) or wall bracket (MLXVE27WBM) for easy installation

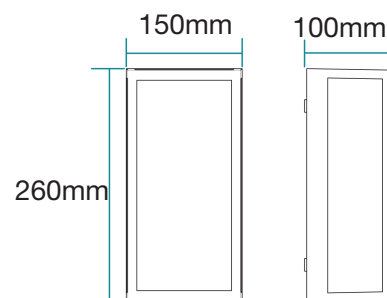


DIMENSIONS

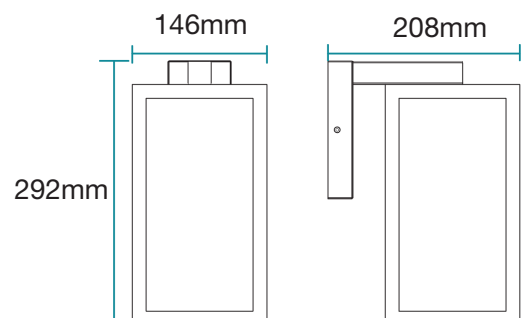
MLXVE27FLM



MLXVE27FSM



MLXVE27WBM



Aust/NZ Approval No.
SAA No. GMA-514053

60W E27 EXTERIOR WALL LIGHT

SHIPPING

Model Numbers	Carton Size			Carton Quantity	Carton Gross Weight (Kg)
	H (mm)	W (mm)	L (mm)		
MLXVE27FLM	260	355	360	4	6.5
MLXVE27FSM	240	290	380	4	9
MLXVE27WBM	320	330	450	4	6

SPECIFICATIONS

Model Name	Vancouver
Model Numbers	MLXVE27FLM - Matt Black MLXVE27FSM - Matt Black MLXVE27WBM - Matt Black
Power Wattage	Max 60W E27* Lamp
Voltage	220-240V 50Hz
Materials / Housing	Die-cast aluminium
IP Rating	IP44
*Globes not included	

INSTALLATION


Installation	By licensed electrician only
Warranty	2 year replacement warranty

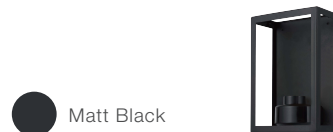
*For further information regarding warranty terms and conditions, please refer to enclosed warranty statement.
Warranty is void unless installed by a licensed electrician.

AVAILABLE COLOURS




● Matt Black

Model	Colour	Barcode
MLXVE27FLM	Matt Black	



● Matt Black

Model	Colour	Barcode
MLXVE27WBM	Matt Black	



● Matt Black

Model	Colour	Barcode
MLXVE27FSM	Matt Black	