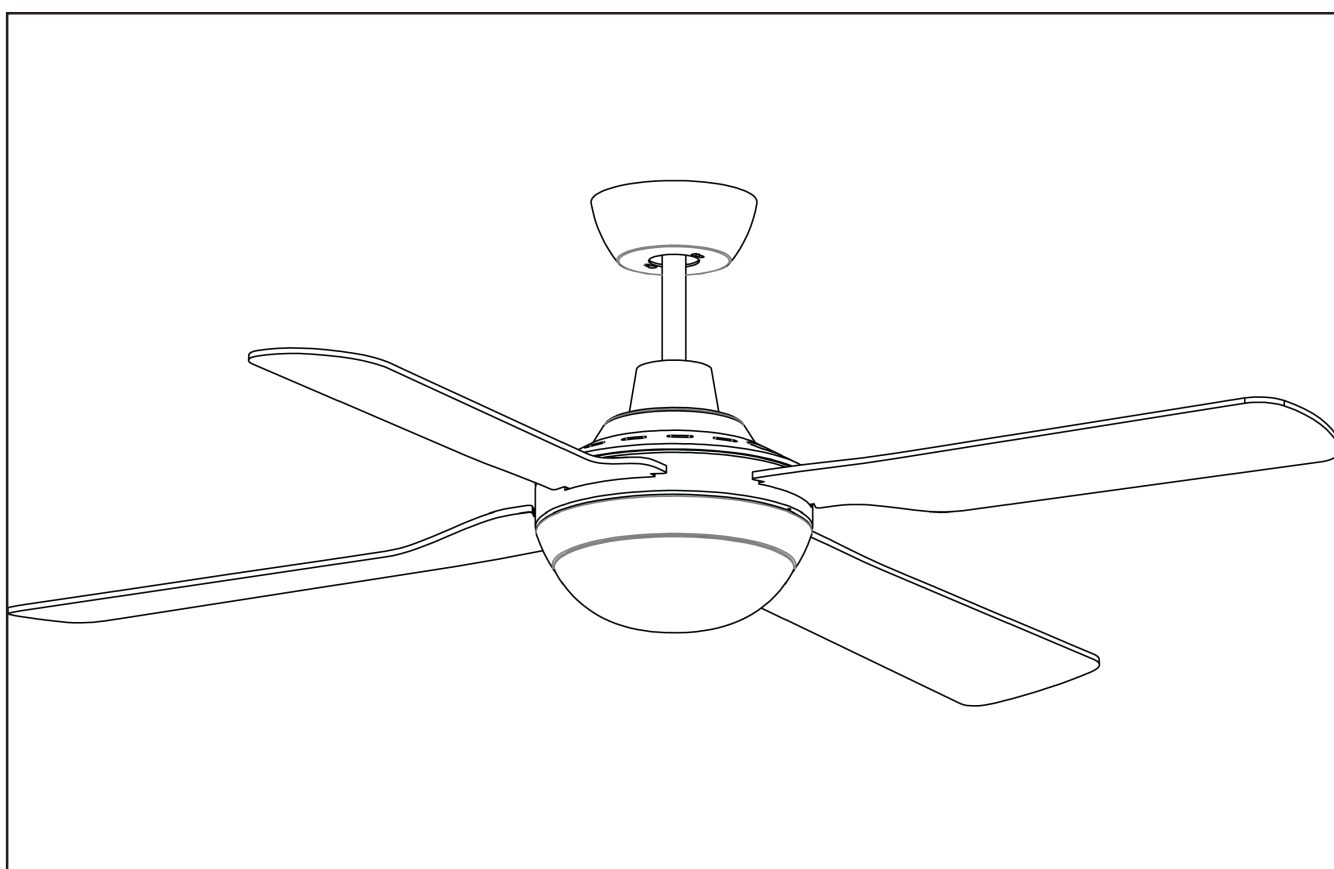




LIBERTY SERIES

Ceiling Fan Instruction Book



Models: MLF144IP MLF1443 MLF144

DESCRIPTION	QUANTITY
Motor assembly	1
Instruction manual	1
Screw kit	1
Balancing kit	1
Hanging bracket	1
Wall control kit	1
Blades	4

Thank you for purchasing your MARTEC LIBERTY Series Ceiling Fan. Please read all instructions carefully before assembly and use.

IMPORTANT SAFEGUARDS

READ THESE INSTRUCTIONS CAREFULLY BEFORE INSTALLING OR USING THE PRODUCT. KEEP THE INSTRUCTIONS HANDY FOR FUTURE REFERENCE.

IMPORTANT

Always operate the product from a power source of the same Voltage, Frequency and rating as on the product Identification Plate.

IMPORTANT

The fan is to be installed so that the blades are more than 2.1 metres above the floor.

Avoid contacting moving parts, keep hands, hair and clothing well away from the product while it is in operation.

A Luminaire (light fitting) included in the fan packaging may only be fitted to this fan.

“This appliance is not intended for use by persons (including children) with reduced physical, sensory or mental capabilities, or lack of experience or knowledge, unless they have been given supervision or instruction concerning use of the appliance by a person responsible for their safety.”

“Young children should be supervised at all times to ensure that they do not play with the appliance.”

Do not operate any product which has been or appears damaged in any matter or after the product malfunctions.

CAUTION: TO REDUCE THE RISK OF ELECTRIC SHOCK, DO NOT INSTALL THE PRODUCT WHERE IT CAN BE EXPOSED TO RAIN, MOISTURE OR ANY LIQUID.

Do not use the product for other than its intended use as described in these instructions. This product is intended for normal domestic household use only. The use of accessory attachments other than those recommended by the manufacturer may cause safety hazards.

SAFETY

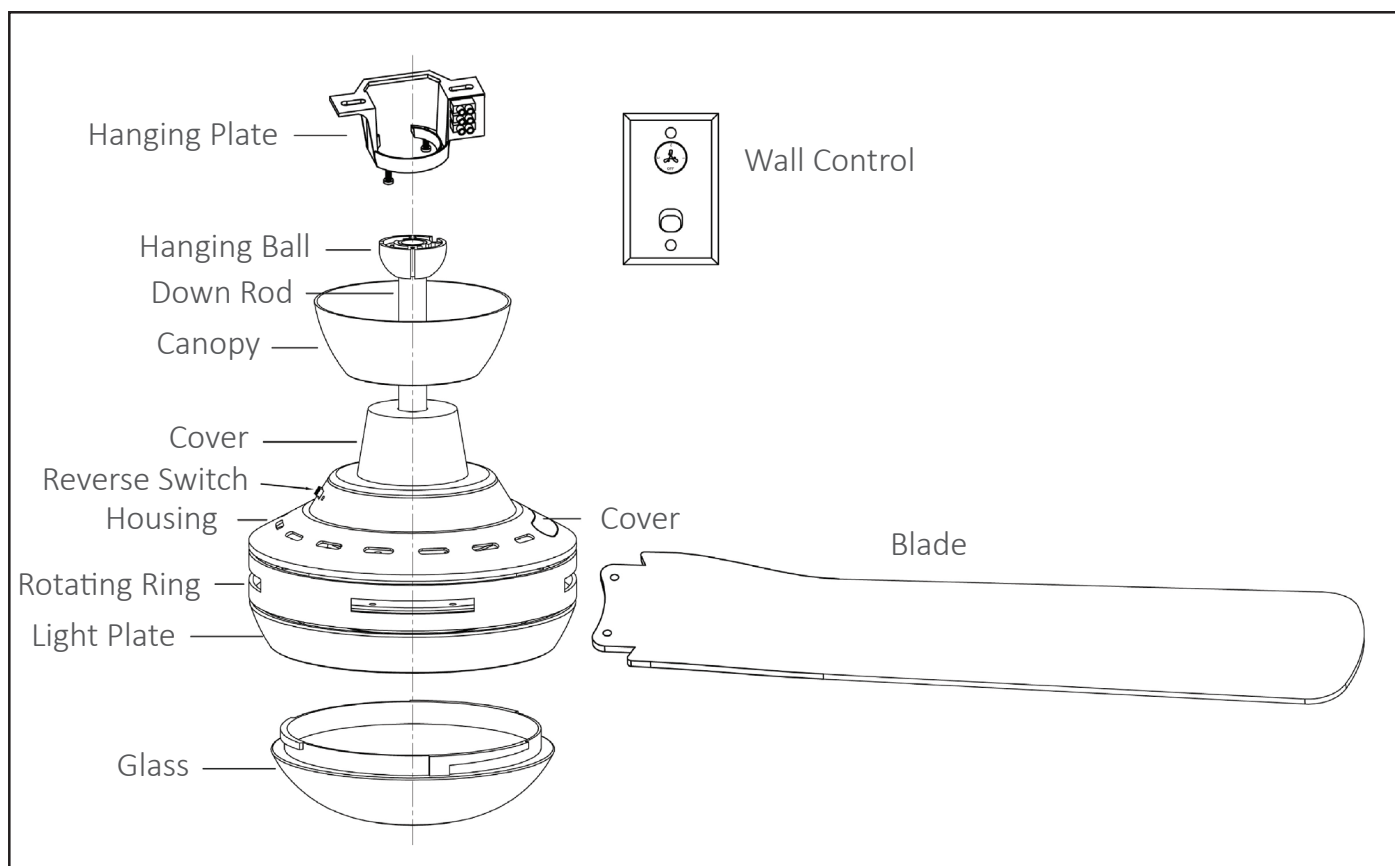
The installation of fans must follow S.A.A. standards and meet local Authority regulations. A fully qualified and licensed electrician lawfully **MUST** carry out installation. Means for disconnection must be incorporated in the fixed wiring in accordance with wiring rules.

Fan and light **MUST** be earthed. Bracket **MUST** be firmly attached to a solid structure i.e. concrete ceiling, steel structure or timber frame and additional joist **MUST** be nailed between beams if the timber option is required. **ONLY** install the remote controller kit that comes supplied by Martec Pty Ltd within package. **DO NOT** control operation of fan and light with any other remote control than what was approved by Martec Pty Ltd and supplied within this package, as this will void warranty.

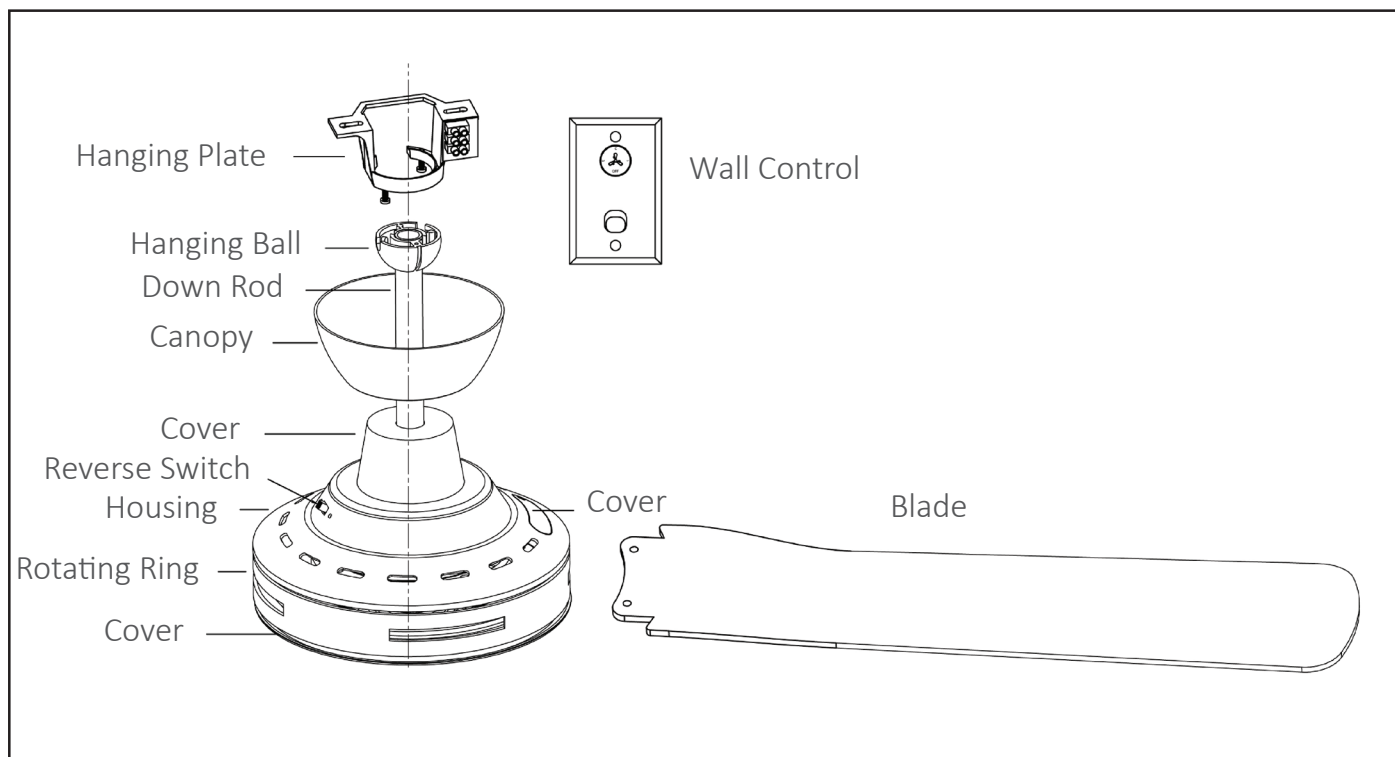
WARNING

Only approved Martec Pty Ltd wall controllers should be used for the operation of our fans. The use of unauthorised controllers will void the warranty. **DO NOT** mix blades from one fan to another. All blades must be replaced if damaged.

With Light



Without Light



HOW TO ASSEMBLE

Secure the hanger bracket to ceiling beam or a suitable piece of timber inserted between the ceiling beams. Martec Pty Ltd recommends the bracket to be attached with two long screws as supplied within the package. Place circular shockproof gasket above the hanger bracket. Align the bracket and screw the hanger bracket to the ceiling tightly. (See Fig.1.)

Place fan into hanger bracket and align Ball Joint Slot with hanger bracket as illustrated. (See Fig.2.)

After wiring is completed, attach the canopy to the hanger bracket by pushing upwards and twisting anti-clockwise. Locate screws in keyholes and tighten., ensuring canopy is not touching the ball joint. (See Fig.3)

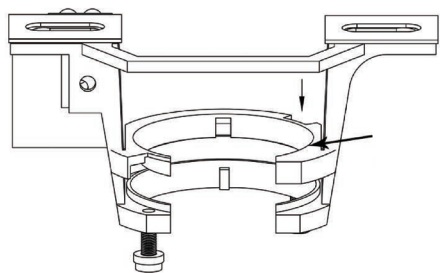


Fig.1

ball seat rubber cover
(Packed with hanger bracket)

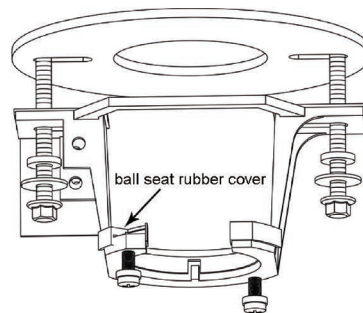


Fig.2

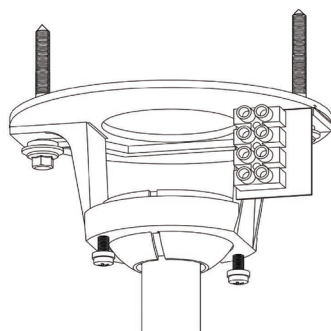


Fig.3

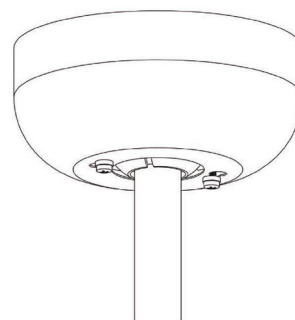


Fig.4

HOW TO INSTALL BLADES

1. Remove the one screw from the covering plate of blade-fixing hole. (See Fig.4a)

2. Insert blades one at a time through four slots around the centre band and secure with three screws for each blade through the top opening. Repeat this procedure for all blades. (See Fig.4b)

3. Re-place the cover plate and secure with one screw once all four blades have been firmly fitted.

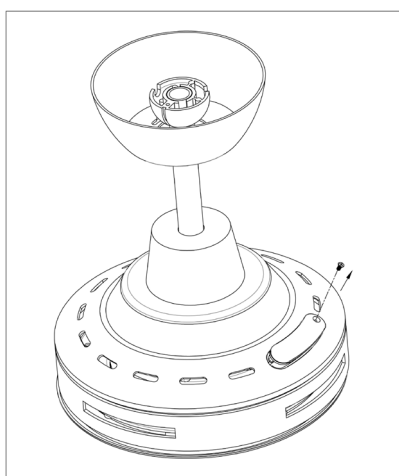


Fig.4a

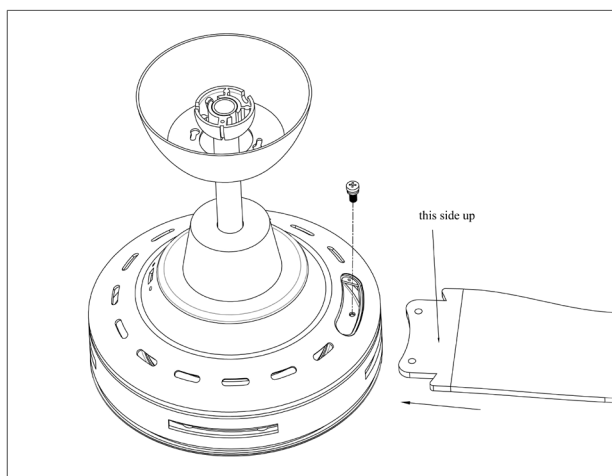


Fig.4b

HOW TO REMOVE THE SHADE FOR INSTALLING LED LIGHT PLATE (Version with lights)

Remove the Glass Shade carefully as shown . Turn anticlockwise to remove and clockwise to tighten the glass shade. (See Fig.5.)

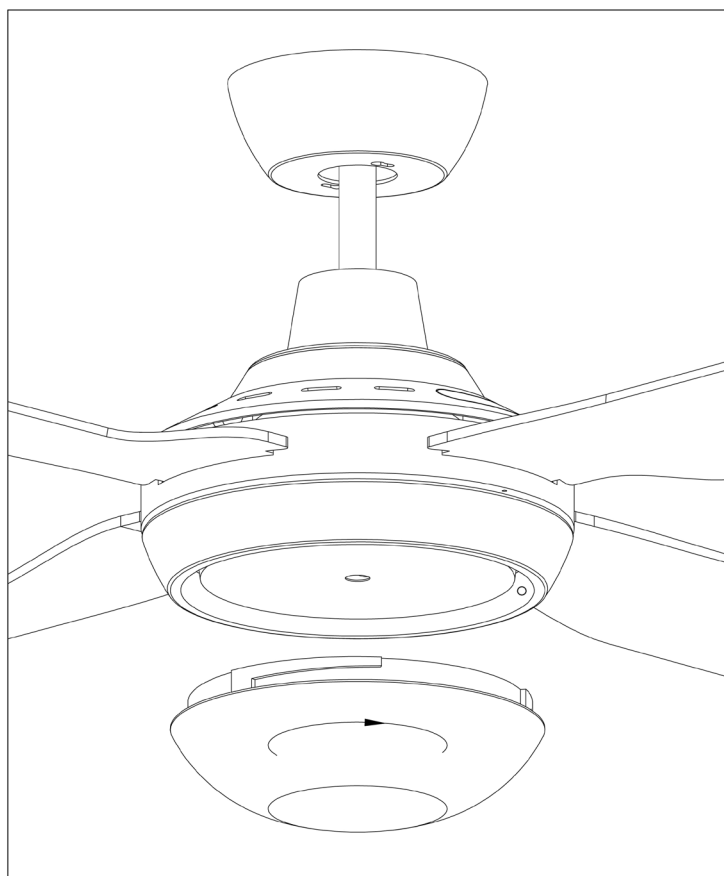


Fig.5

Tri Colour CCT (Colour changeable temperature)

Please make sure the switch is off before changing the colour temperature. Simply flick the switch on the LED plate (See Fig.6.) to select the desired colour temperature (3000K, 4000K or 5000K).



Fig.6

Dimming

The LIBERTY fan has a smart 3 step dimming LED light module which doesn't require a dimmable remote control or a wall dimmer. It only requires a normal on/off remote kit (MPREM) or a normal light wall switch (supplied as part of the wall controller in the box).

Turn the switch on and the light will turn on. Flick the switch on/off within 1 second and the light output will dim down to approx. 50%, flick the switch on/off again and the light output will dim down to approximately 15%. The light kit has no memory function, it will turn on at 100% initially.

WIRING INSTRUCTIONS

