



HIGH PERFORMANCE HEATER FAN EXHAUST WITH 12W TRICOLOUR LED LIGHT

HIGH VELOCITY AIR EXTRACTION
460M³/HR



The Profile Panel 2 features a powerful and efficient turbo fan blade design while maintaining a quiet operation. Making this bathroom 3 in 1 suitable for small to medium sized bathrooms.



Tricolour LED



IPX2 Water Resistant



Quiet Operation



High Velocity Air Steam Extraction
460m³/hr



Instant Radiant Heat

- Turbo blade fan design
- 12W Tricolour LED light
- Includes 3m of flexible aluminium ducting diameter
- High performance ball bearing motor
- Self-closing back shutter



Slimline Fitting



Ball Bearing Motor



Draft Stopper



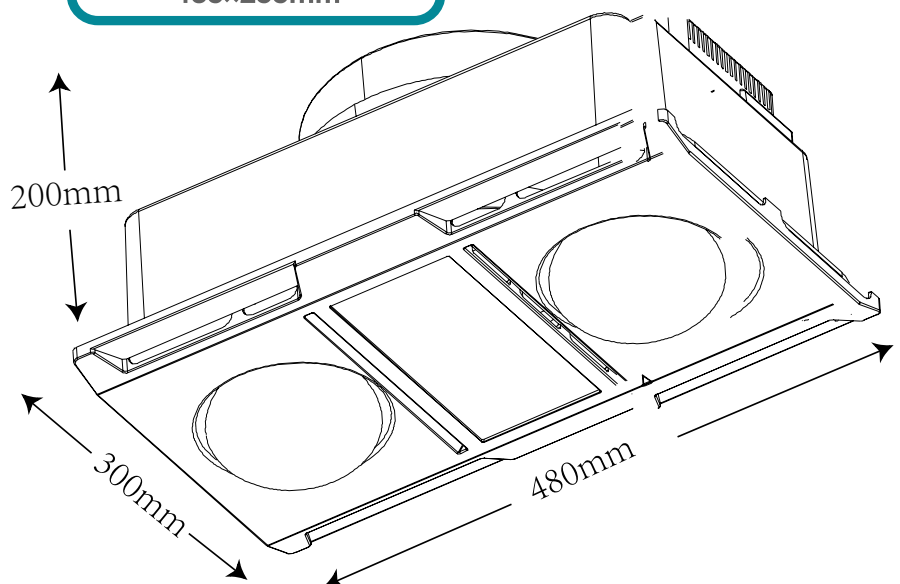
Easy Side Vent Access

INCLUDES

2 x 275W infrared heat lamps

DIMENSIONS

CUT OUT SIZE
435x255mm



HIGH PERFORMANCE HEATER FAN EXHAUST WITH 12W TRICOLOUR LED LIGHT

FEATURES

- Turbo blade fan design
- 12W Tricolour LED light
- Includes 2 x 275W infrared instant heat lamps
- Powerful high air/steam extraction exhaust fan
- Modern ultra-low profile design
- Includes 3m of flexible aluminium ducting
- High performance ball bearing motor
- Self-closing back shutter
- Internal thermal safety switch

SPECIFICATIONS

Model name:	Profile Panel 2
Model number:	MBHN2LW
Power (wattage):	602W
Voltage:	220v – 240v
Frequency:	50Hz
Exhaust air movement (m³/hr):	460m ³ /hr
Motor:	Ball bearing
Light type:	Tricolour LED
Light wattage:	12W
Colour Temperature	3000k / 4000k / 5000k
Lumens:	≥900lm
Weather resistance rating:	IPX2
Control type:	3 gang wall switch included
Fascia size (mm):	L480 x W300 x H200mm
Cut out size (mm):	435 x 255mm
Side duct outlet diameter (mm):	120mm
Aluminium duct:	125 x 3000mm



INSTALLATION


Installation:	By licensed electrician only
Warranty:	2 year in home warranty*

* Excludes heat lamps. For further information regarding warranty terms and conditions, please refer to enclosed warranty statement. Warranty is void unless installed by a licensed electrician.

SHIPPING

Packaging size:	L520 x H410 x D290mm
Gross weight:	4.2kg
Carton qty:	2

AVAILABLE IN WHITE ONLY

Model	Colour	Barcode
MBHN2LW	White	 9312375506898