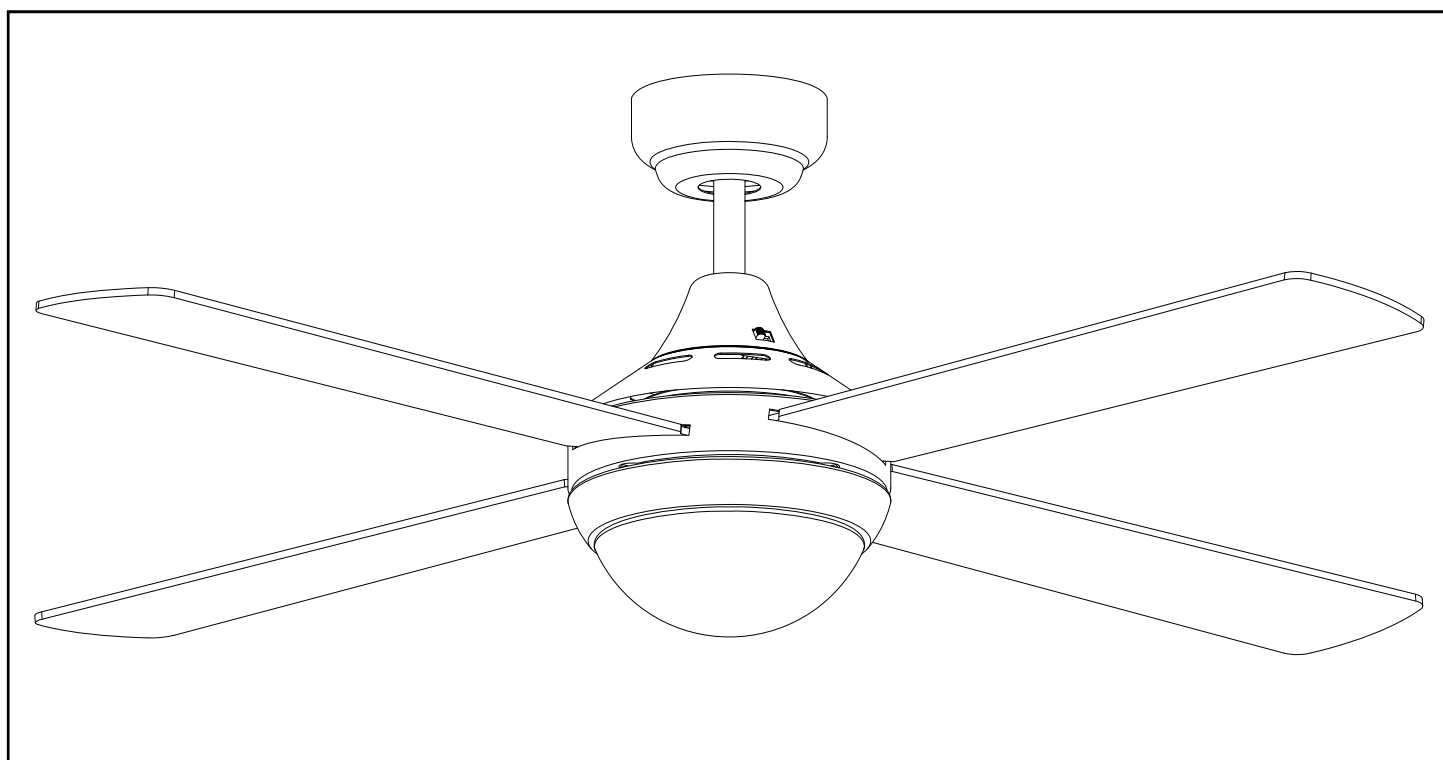


LINK AC SERIES

Ceiling Fan Instruction Book



Models: FSL124 FSL1244 FSL1243

DESCRIPTION	QUANTITY
Motor assembly	1
Instruction manual	1
Screw kit	1
Balancing kit	1
Hanging bracket	1
Wall control kit	1
Blades	4



Thank you for purchasing your MARTEC **Four Seasons Link** Series product. Please read all instructions carefully before assembly and use.

IMPORTANT SAFEGUARDS

READ THESE INSTRUCTIONS CAREFULLY BEFORE INSTALLING OR USING THE PRODUCT. KEEP THE INSTRUCTIONS HANDY FOR FUTURE REFERENCE.

IMPORTANT: Always operate the product from a power source of the same Voltage, Frequency and rating as on the product Identification Plate.

IMPORTANT: The fan is to be installed so that the blades are more than 2.1 metres above the floor.

Avoid contacting moving parts, keep hands, hair and clothing well away from the product while it is in operation.

A Luminaire (light fitting) included in the fan packaging may only be fitted to this fan.

“This appliance is not intended for use by persons (including children) with reduced physical, sensory or mental capabilities, or lack of experience or knowledge, unless they have been given supervision or instruction concerning use of the appliance by a person responsible for their safety.”

“Children should be supervised to ensure that they do not play with the appliance.”

Do not operate any product which has been or appears damaged in any manner or after the product malfunctions.

CAUTION: To reduce the risk of electric shock, do not install the product where it can be exposed to rain, moisture or any liquid.

Do not use the product for other than its intended use as described in these instructions. This product is intended for normal domestic household use only. The use of accessory attachments other than those recommended by the manufacturer may cause safety hazards.

SAFETY

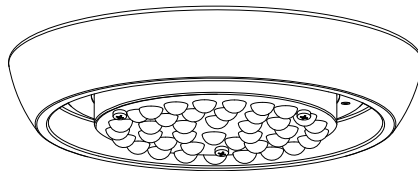
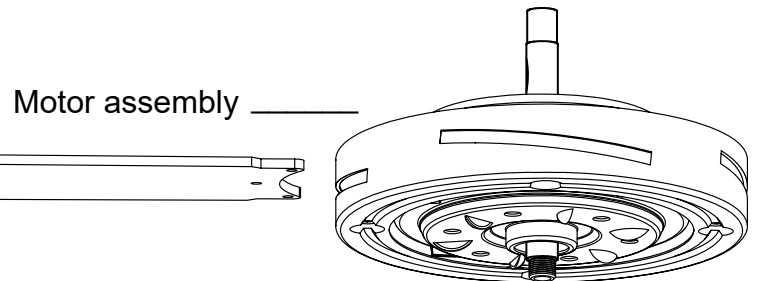
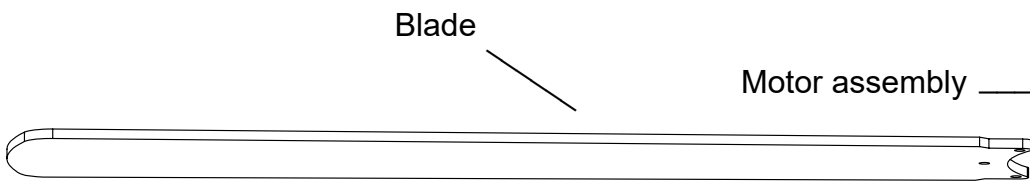
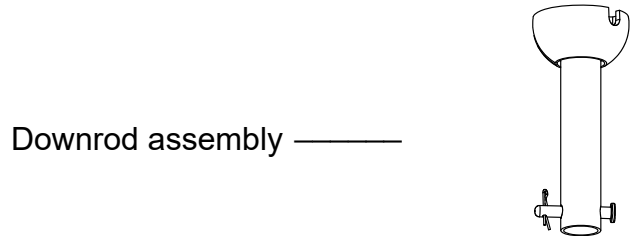
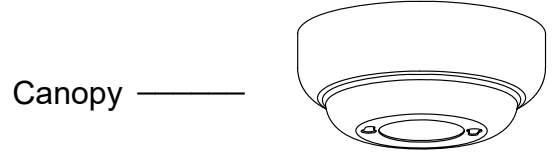
Installation of fans must follow S.A.A. standards and meet local Authority regulations. A fully qualified and licensed electrician lawfully **MUST** carry out installation. Means for disconnection must be incorporated in the fixed wiring in accordance with wiring rules.

Fan and light **MUST** be earthed. Bracket **MUST** be firmly attached to a solid structure i.e. concrete ceiling, steel structure or timber frame, etc. and **MUST** be nailed between beams if the timber option is required. **ONLY** install the wall controller kit that comes supplied by Martec Pty Ltd within package. **DO NOT** control operation of fan and light with any other wall control than what was approved by Martec Pty Ltd and supplied within this package, as this will void warranty.

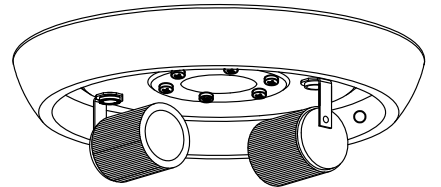
WARNING

Only approved Martec Pty Ltd wall controllers should be used for the operation of our fans. The use of unauthorised controllers will void the warranty. **DO NOT** mix blades from one fan to another. All blades must be replaced if damaged.

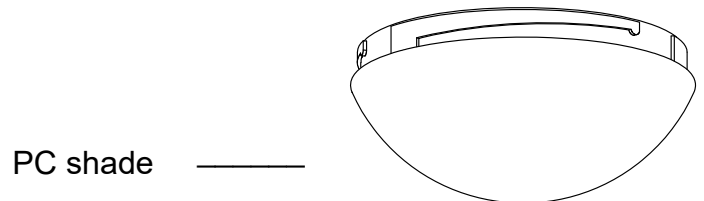
With Light model



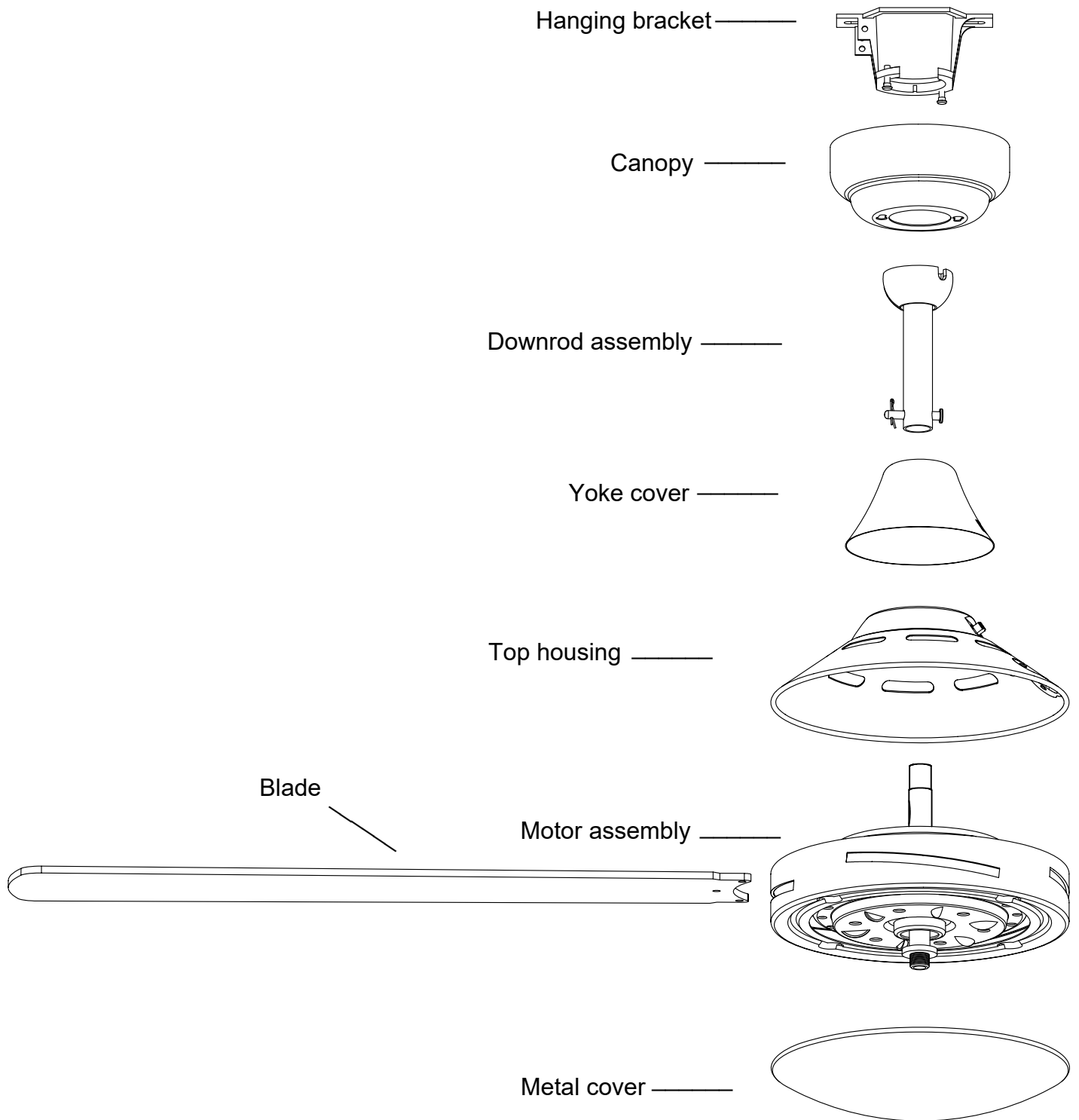
With LED tricolour integrated light kit



With 2*E27 holders light kit



Without Light model



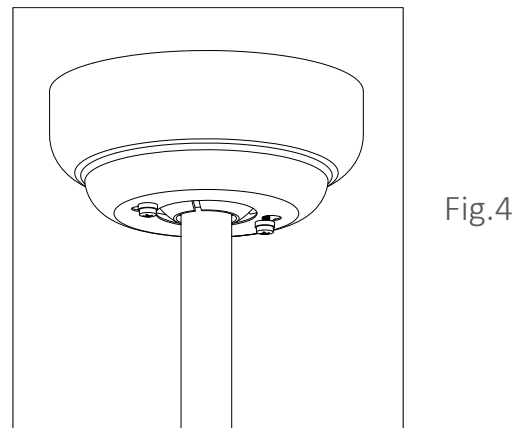
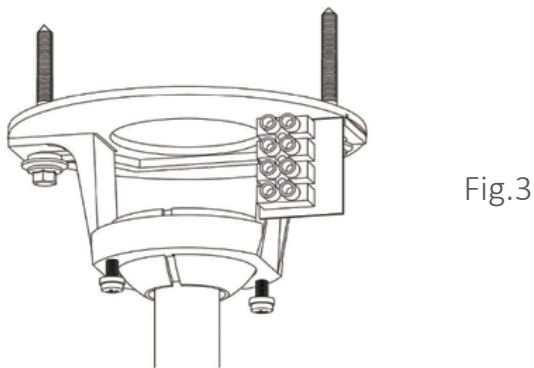
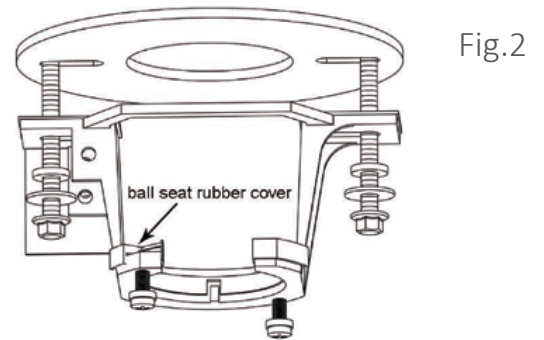
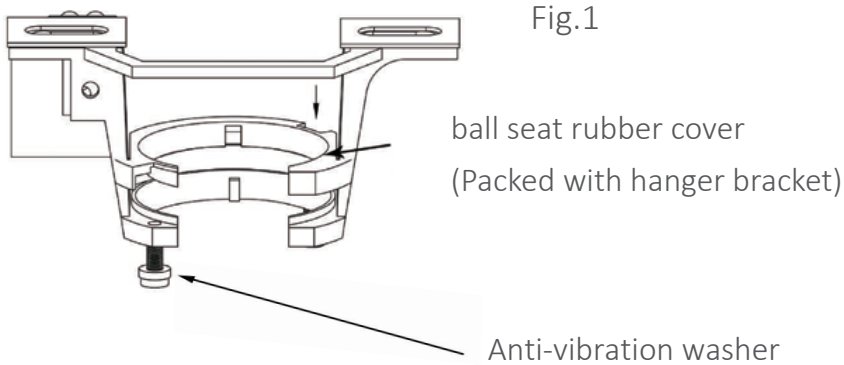
HOW TO ASSEMBLE

Secure the hanger bracket to ceiling beam or a suitable piece of timber inserted between the ceiling beams. Martec Pty Ltd recommends the bracket to be attached with two long screws as supplied within the package. There is a ball seat rubber cover need to be pressed into the bracket. (See Fig.1.)

Place circular shockproof gasket above the hanger bracket. Align the bracket and screw the hanger bracket to the ceiling tightly. (See Fig.2.)

Place fan into hanger bracket and align Ball Joint Slot with hanger bracket as illustrated. (See Fig.3.)

After wiring is completed, attach the canopy to the hanger bracket by pushing upwards and twisting a little clockwise. Locate screws in keyholes and tighten, ensuring canopy is not touching the ball joint. (See Fig.4)

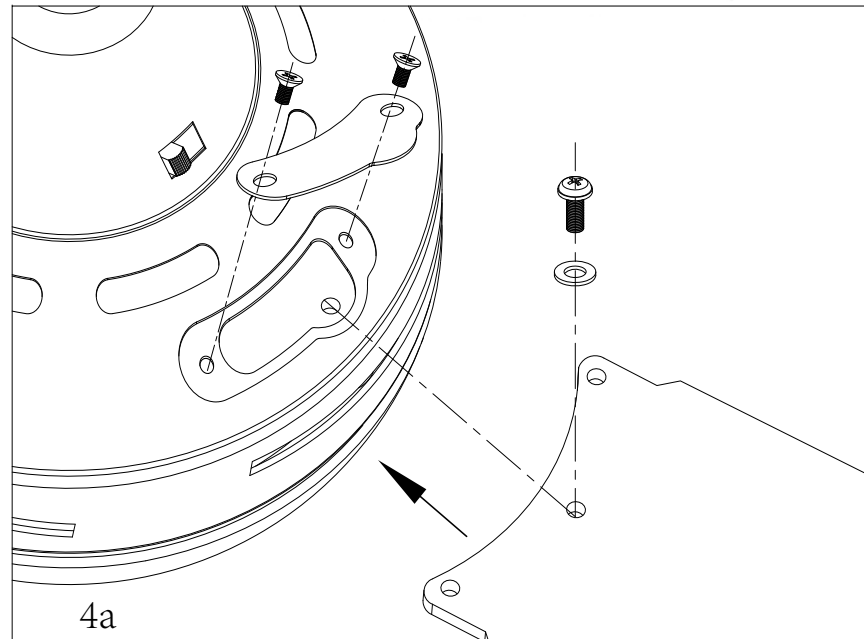


HOW TO INSTALL BLADES

Remove the two screws from the covering plate of blade-fixing hole (see fig.4)
Insert blades one at a time through four slots around the canopy and secure with three screws for each blade through the top opening. Repeat this procedure for all blades (see fig.4a)

Replace the cover plate and secure with two screws once all four blades have been firmly fitted.

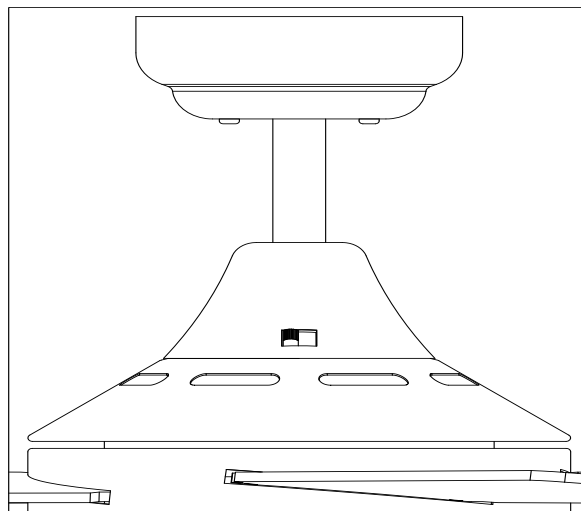
Please ensure that the blades do not get bent during the installation process while the fan may be on the ground, as this will affect the performance and balance of the fan and this is NOT covered under warranty.



USE IN ALL SEASONS

Always ensure that fan is set to "OFF" and blades are still prior to changing direction of blades.

Reverse switch on fan should ideally be set on "FORWARD" (left position) during warmer seasons to move blades in an anticlockwise direction & "REVERSE" (right position) during our cooler seasons to make the fan rotate in a clockwise direction (see fig.5)

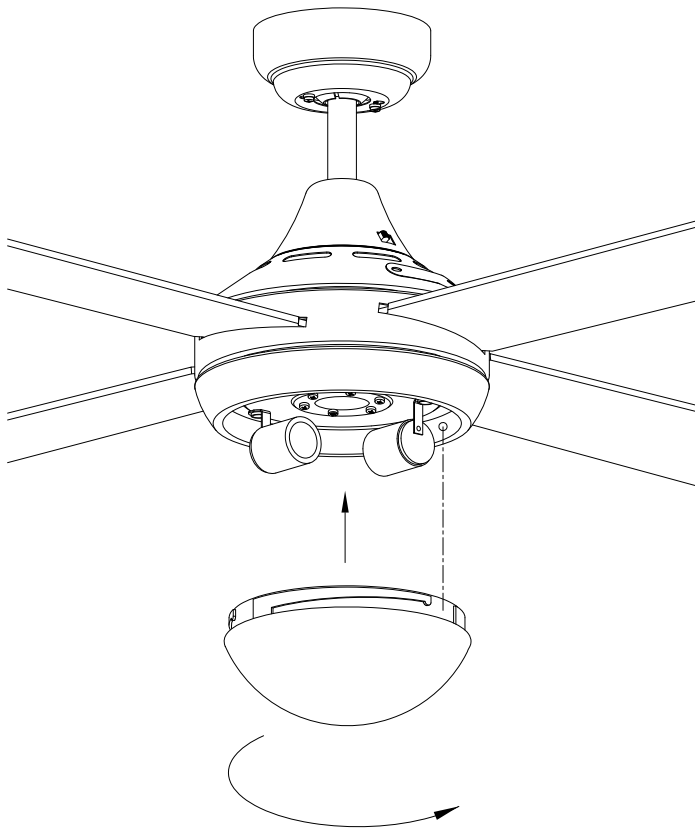


HOW TO INSTALL/REMOVE THE PC SHADE (Version with lights)

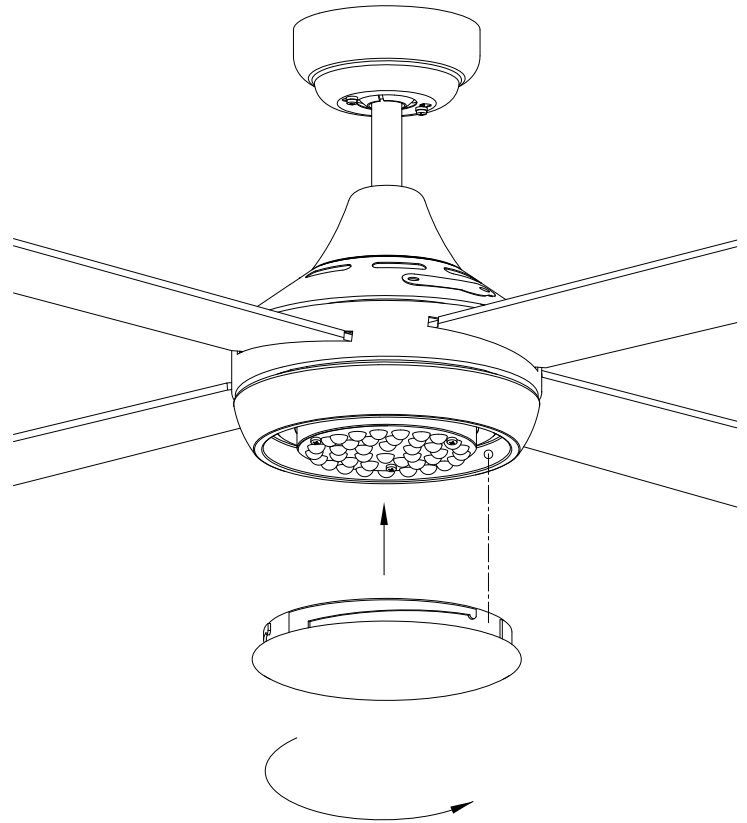
Align the shade as shown in the figure below, and place the PC (Plastic) shade.

Spin it clockwise.

To remove turn the shade anti-clockwise



If the fan is with E27 light model (FSL1244)

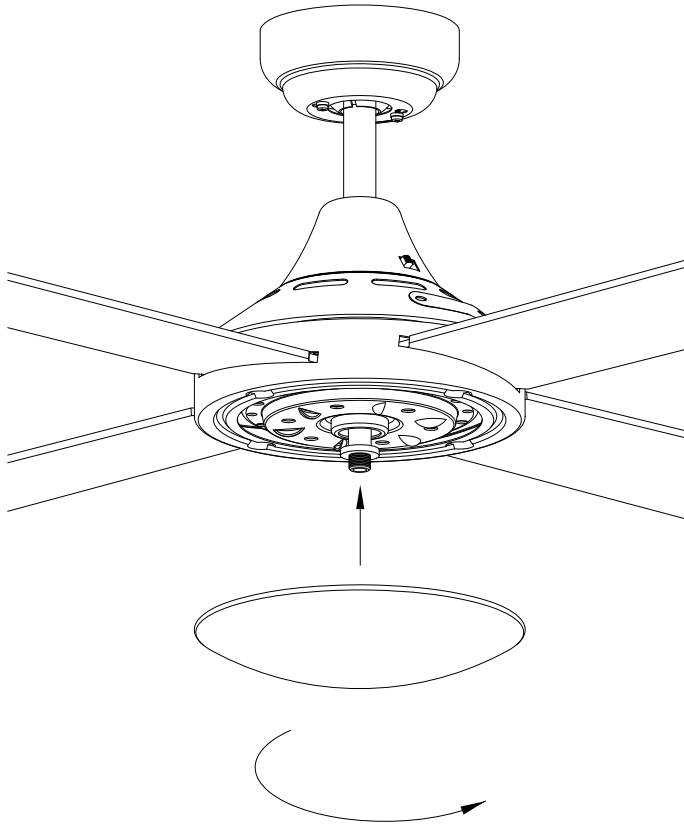


If the fan is with LED tricolour light model (FSL1243)

HOW TO INSTALL/REMOVE THE METAL COVER (Version without lights)

Align the metal cover with the central spindle extended from motor as shown in the figure below, and spin it clockwise.

To remove turn the shade anti-clockwise



If the fan is without light model (FSL124)

Tricolour CCT (Colour changeable temperature)

Please make sure the light switch is off before changing the colour temperature. Simply flick the switch on the LED plate (See Fig.6.) to select the desired colour temperature (3000K, 4000K or 5000K).

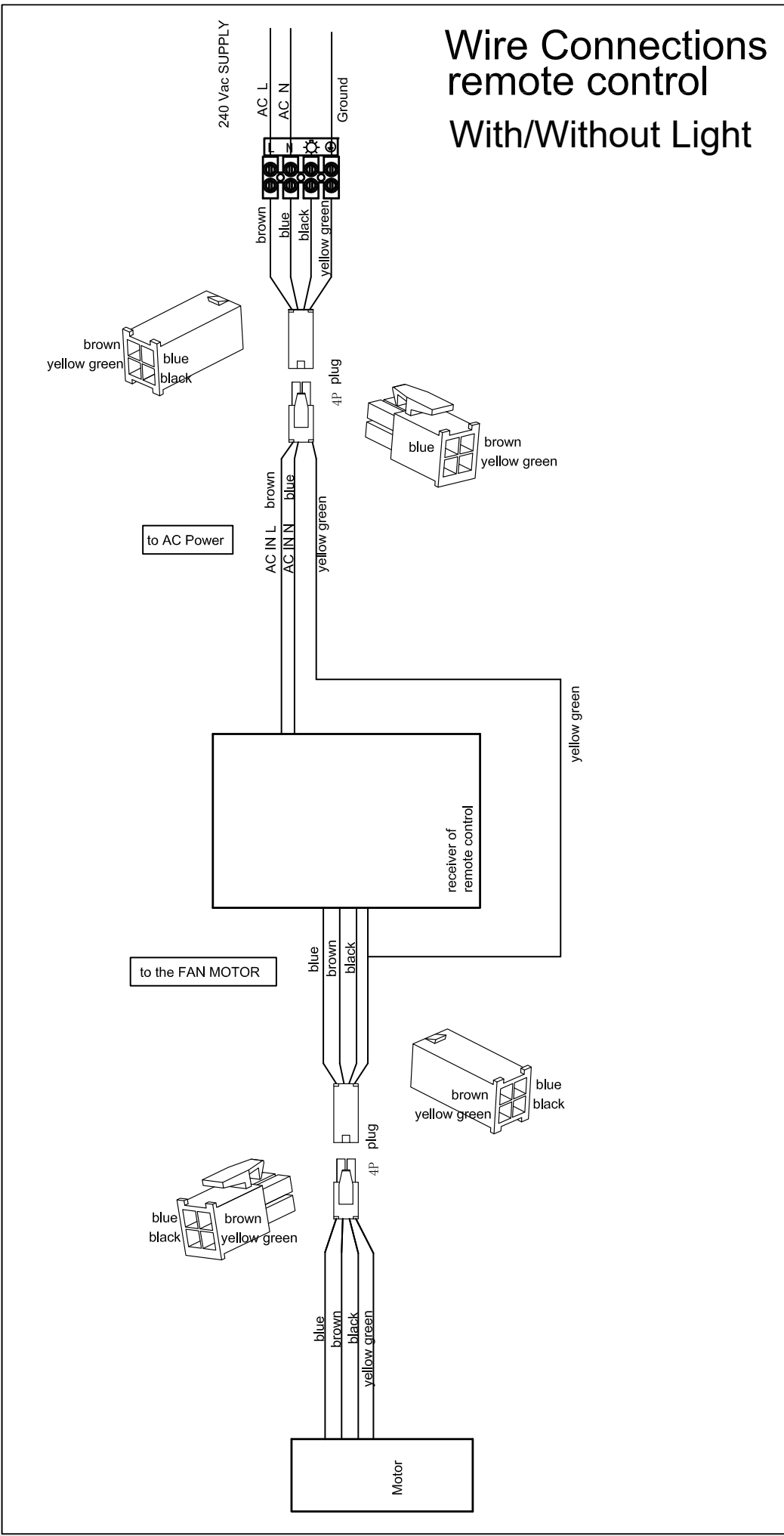


Fig.6

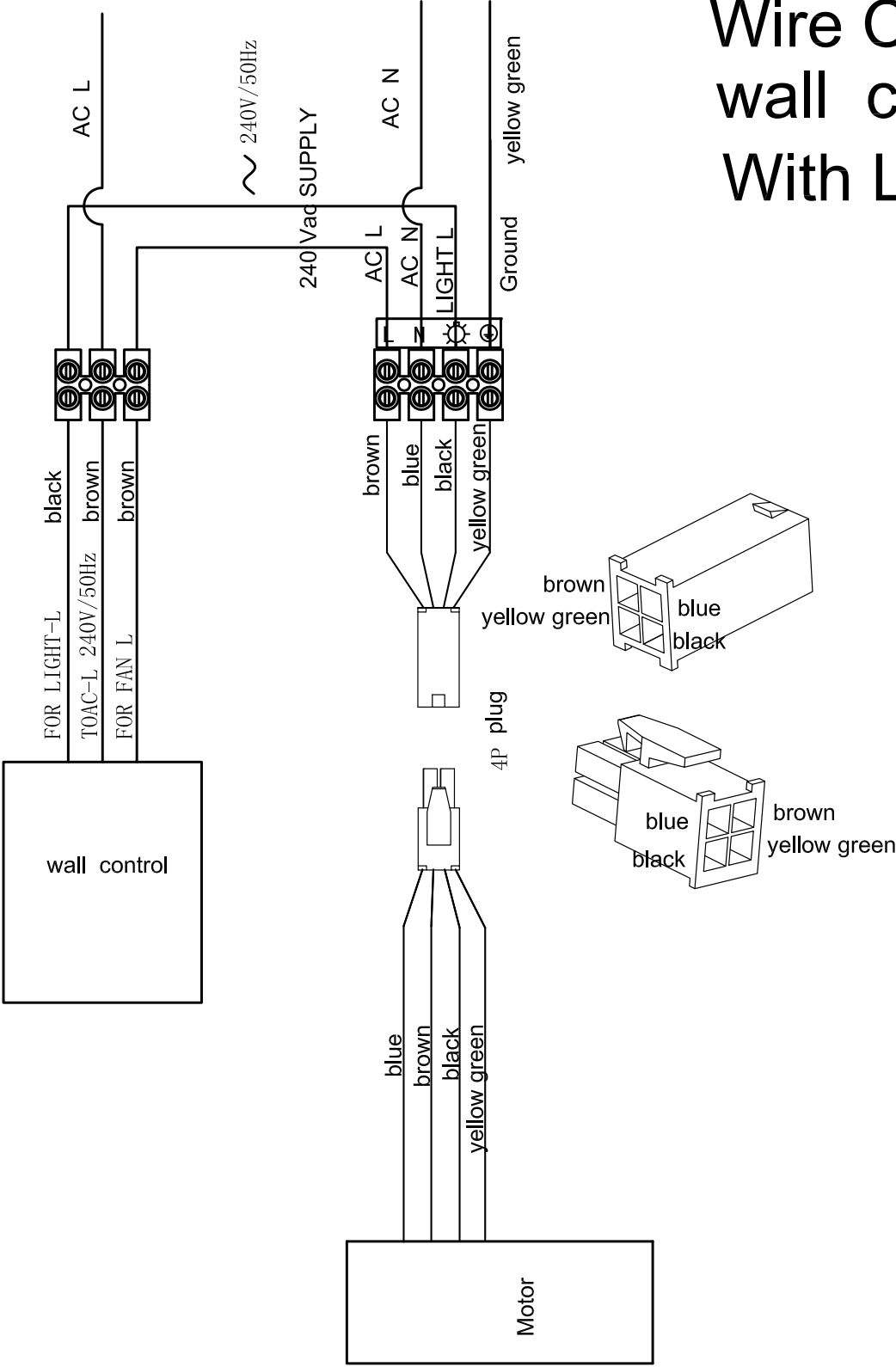
Dimming for Tricolour Models)

The Four Seasons Link fan has a smart 3 step dimming LED light module which doesn't require a dimmable remote control or a wall dimmer. It only requires a normal on/off remote kit (MPREM) or a normal light wall switch (supplied as part of the wall controller in the box). Turn the switch on and the light will turn on. Flick the switch on/off within 1 second and the light output will dim down to approx. 50%, flick the switch on/off again and the light output will dim down to approximately 15%. The light kit has no memory function, it will turn on at 100% initially.

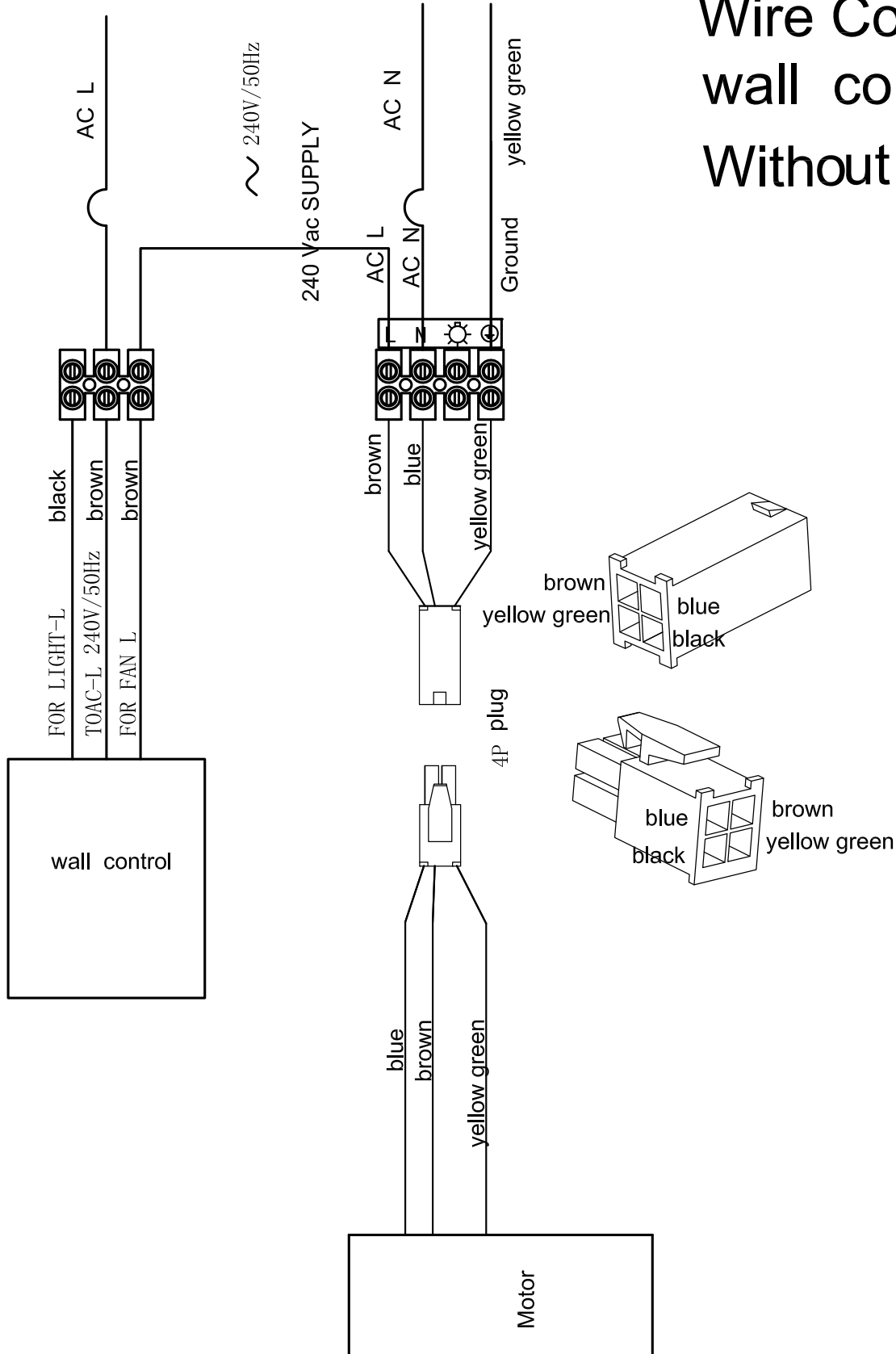
Wire Connections remote control With/Without Light



Wire Connections wall control With Light



Wire Connections wall control Without Light



MARTEC PTY LTD: 6 YEAR WARRANTY STATEMENT*

*Martec Pty Ltd warrants this product for a period of 3 years "In Home" warranty + *3 year replacement motor only warranty from the original date of purchase for residential situations, subject to the following statements:

Important notice: Martec Pty Ltd warrants this product for 3 years with "In Home" warranty + *3 Year motor only replacement warranty. Martec Pty Ltd only warrants the Martec product against faulty workmanship and is subject to the conditions and provisions set out below:

- 1) The 3 year "In Home" warranty + *3 Year Motor only replacement warranty only applies only if the product was purchased in Australia and does not transfer from the original purchaser. All Martec Products replaced under warranty are only warranted for the balance of the warranty period. (Please refer to the Martec website for full warranty disclosure warranty statement)
- 1.1) The additional *3 Year motor only replacement warranty, the consumer is to arrange their own electrician to safely uninstall motor of the fan and return to the place of purchase with proof of purchase.
- 2) The 3 year "In Home" warranty does not extend to the Martec Product accessories such as remote controller kits and/or light fittings (including glass light shades) that have been fitted during or after the original Martec Product installation. Globes are not covered under warranty.
- 3) All remote controllers, wall controllers, ballasts, and light fittings included in the Martec Products original packaging have a 1 year warranty only. Remote controllers, wall controllers and light kits must be Martec approved and Martec branded products. The use of remote controllers, wall controllers and/or light kits which are not Martec approved and branded will subsequently void the warranty.
- 4) Any changes to plated and/or painted finishes due to climate conditions or other circumstances deemed to be beyond the control of Martec Pty Ltd or their authorised agent are not covered under this warranty. Outdoor use of Martec ceiling fans is not recommended or covered under this warranty; proceed at your own risk as outdoor use will void the warranty. Threaded components such as blade nuts and screws may loosen during normal operation; these should be tightened regularly to ensure the fan does not develop noises during operation. If noises do develop, check this aspect before requesting service, as this is not covered under warranty.
- 5) regularly to ensure the fan does not develop noises during operation. If noises do develop, check this aspect before requesting service, as this is not covered under warranty.

PURCHASERS PLEASE NOTE:

- 6) Any claim made in relation to this warranty is solely limited to the cost of replacement of the product, parts and labour of the authorised service agent approved by Martec Pty Ltd. No parts/products are to be disposed of prior to the Service Agents "In Home" warranty visit. No acceptance of other liability for incidental or consequential damage is covered. Martec Pty Ltd does not cover travelling costs incurred by service agents where service is requested by the purchaser outside of the Martec Pty Ltd service network. The Martec Pty Ltd service network is defined at our discretion, yet is limited by the boundary of the city in which you live. Travel outside of the city limits by the Martec Pty Ltd authorised service agent will incur commercial costs to be paid for by the purchaser at a rate calculated by the number of kilometres travelled beyond the city limits. Any service required outside of the service network will be provided in the following manner. Per warranty claim, a full replacement will be sent to the customer's residence and a maximum of \$80 AUD plus GST plus freight will be covered by Martec Pty Ltd. All other costs over and above the \$80AUD, including but not limited to, labour and travel costs are to be paid for by the purchaser. Please Note: it is the responsibility of the purchaser to call Martec customer service number (02 8778 7500) prior to any electrician leaving the job site if any problems occur. Any installing electrician costs and/or fees invoiced to the customer prior to the customer contacting Martec to lodge a warranty application will not be covered by Martec.

This warranty becomes void if the product was not installed as per the instruction manual by a qualified and licensed

- 7) electrician. In addition, this warranty will be considered void if any, or all, of the following has occurred: tampering with the product, product damage, repair by non-qualified electrician, becoming faulty due to improper use, normal wear and tear, accident damage, product abuse, and/or failure to use the product in accordance with the instructions relating to the installation.
This product is only covered by this warranty for a period of 90 days when used in a commercial application.
- 8) Minor variations of speed between the same model Martec Products may be evident and is not covered under this warranty.
- 9) Any changes in climate conditions deemed by Martec Pty Ltd to be beyond reasonable control are not covered under this warranty. Any damage caused to walls, ceilings, furniture, carpet and/or any consequential damage caused within the establishment where this Martec Product is being installed, is not covered under this warranty. Repairs carried out by the Martec approved service agent due to incorrect installation will be charged to the purchaser at the time of service. This
- 10) warranty is limited to the product being repaired/replaced only by an approved Martec Pty Ltd service agent and does not include costs where the original installation was not carried out per the instruction manual. The product warranty is limited to defects in workmanship only and does not apply to loss or damage caused by abnormal or excessive force of any kind from internal or external sources.
This warranty does not cover electrical humming noises, wobbling or any other external influences.
- 11) Martec Pty Ltd reserves the right to change or amend any or all parts of this warranty statement at any time and without
- 12) notice.
The costs associated with the hire of extension ladders and scaffolding to service ceiling fans installed on ceilings higher than
- 13) 3 metres from the ground, will not be covered by this warranty. These costs will be borne by the customer not Martec Pty Ltd.

Customer Details

Surname..... Given Name.....

Address.....

Daytime Ph..... A/h Ph.....

Email.....

Warranty Details

Date of Purchase..... Installation Date.....

Product Description.....

Store..... P.O. No.....

Fault Description.....

.....

.....

.....

I, the Customer, hereby acknowledge that I have read and agree with the Martec Pty Ltd warranty statement and the conditions found within regarding the warranty service and its limitations.

I, the Customer, acknowledge that Martec Pty Ltd reserves the right to charge me, the Customer, \$190 PLUS GST plus the costs of any replacement parts or products (if any), in addition to the costs associated with shipping these parts to my location should the reported fault not be an actual manufacturing fault or malfunction. This will be assessed on a case by case basis by the authorised Martec Service Agent dispatched to my premises.

I, the Customer, acknowledge that I will be liable for this charge should the authorised Martec Service Agent determine this to be the case. Failure to pay warranty recovery charges issued by Martec Pty Ltd will result in the termination of any remaining warranty, in addition to possible debt collection procedures.

I,, do hereby certify that I have read and comply with the aforementioned warranty conditions and agree to the conditions of this warranty claim.

Print Name:.....

Signature:.....

Date:.....

