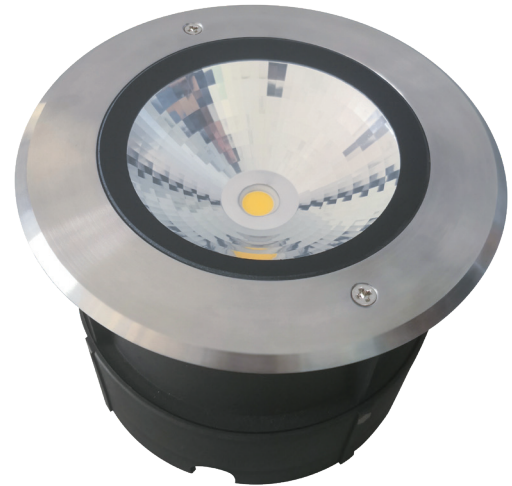


MAGNETO-18 LED Inground Light



Description

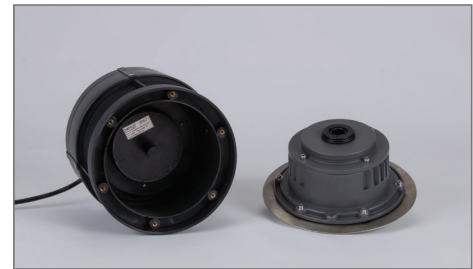
Introducing a revolutionary new design in inground lighting. The MAGNETO series from Domus features induction technology to transfer electrical current from the base pot to the light unit WITHOUT any cable connection. This avoids water syphoning through the cables and causing the LED light to prematurely fail due to moisture. Also provides for a very easy maintenance by simply unscrewing the light unit and replacing it without the need for an electrician. Ideal as a path light or inground light close to walls or columns to achieve wall washing or v-line effects. 18W 24V DC LED inground light, 316 Stainless Steel Light Unit, optic lens diffuser. Available as a spot or flood. 24V DC Constant Voltage LED Driver required.



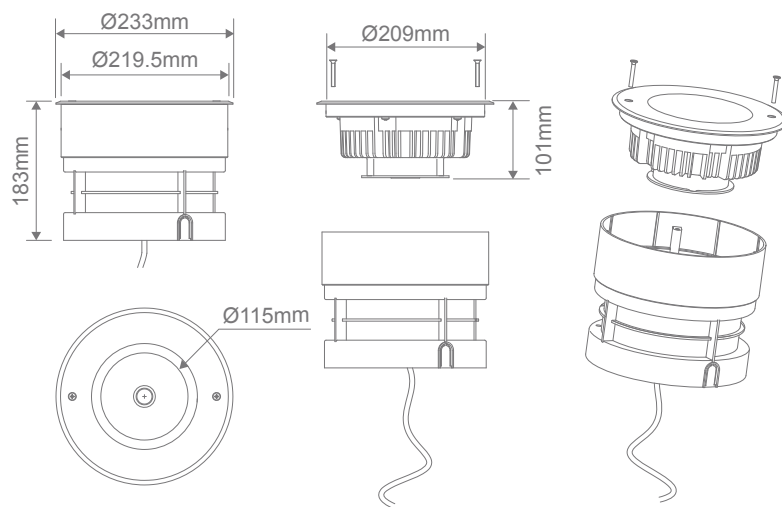
Specification Features

- Input Voltage: 24V DC**
- Power (W): 18W
- IP rating (IP): IP67
- IK Rating (IK) IK10 (2000Kg Drive Over Max)
- Lumens (lm): Warm White 3000K - 1350lm
Neutral White 4000K - 1400lm
White 5000K - 1450lm
- CCT: 3000K - 4000K - 5000K
- CRI: ≥80
- Beam angle (°): 45°
- Dimmable: No
- Lifespan (hrs): 40,000hrs
- Cutout (∅): ∅205-215mm
- Impact rating: IK10
- Drive over: 2000Kg

**Requires 24V DC Constant Voltage LED Driver - Wire in Parallel



Diagrams / Additional



Cutout: ∅205-215mm

Item No.	Variant	Colour
MAGNETO-18-45D	21095	3000K
	21096	4000K
	21098	5000K