

Last modification 2024-05-03

**KYLAN TL20-BK**  
**9329501071960**



Introducing the Kylan range of table and floor lamps, offering both style and versatility. The table lamp is available in two sizes, ensuring the perfect fit for any space. Each style comes in your choice of a sophisticated matte black or timeless antique gold finish, adding a touch of elegance to any room. With a 180-degree shade tilt, these lamps provide adjustable lighting to suit your needs, whether you're reading, working, or simply creating ambiance. Elevate your space with the Kylan range, where form meets function seamlessly.

## Overview

|                    |                 |
|--------------------|-----------------|
| <b>Family name</b> | Kylan           |
| <b>Categories</b>  | Table Lamps     |
| <b>Switch</b>      | Inline Switch   |
| <b>Usage</b>       | Indoor Lighting |

## Color / Material

|                         |       |
|-------------------------|-------|
| <b>Fixture Color</b>    | Black |
| <b>Fixture Finish</b>   | Matte |
| <b>Fixture Material</b> | Iron  |
| <b>Cable Material</b>   | PVC   |

## Size

|                            |                            |
|----------------------------|----------------------------|
| <b>Fixture Length (cm)</b> | 20.0                       |
| <b>Fixture Width (cm)</b>  | 38.0                       |
| <b>Fixture Height (cm)</b> | 52.0                       |
| <b>Base Diameter (cm)</b>  | 18.0                       |
| <b>Base Height (cm)</b>    | 2.5                        |
| <b>Shade Diameter (cm)</b> | 20.0                       |
| <b>Shade Height (cm)</b>   | 14.5                       |
| <b>Cable Length (cm)</b>   | 180 (30+Inline Switch+150) |

## Specification

|                            |      |
|----------------------------|------|
| <b>Voltage Input</b>       | 240V |
| <b>Total Wattage (max)</b> | 25   |
| <b>Globe Type</b>          | E27  |

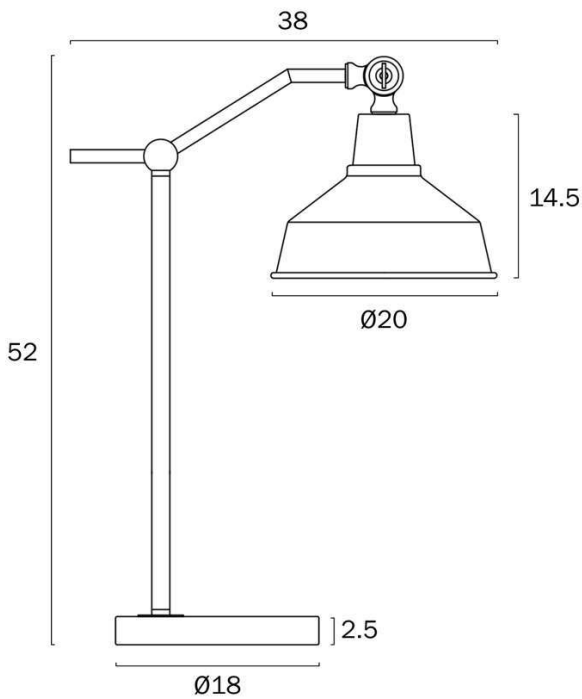
All representations within this document are subject to copyright. ELECTRICAL INSTALLATIONS MUST BE PERFORMED BY A QUALIFIED ELECTRICAL CONTRACTOR AND INSTALLED IN ACCORDANCE WITH AS/NZS 3000.  
NOTE : All images , descriptions and dimensions are indicative. Please check latest version of item detail on Telbix website prior to ordering or installation.

|                                      |  |
|--------------------------------------|--|
| <b>Globe / Light Source qty</b>      | 1  |
| <b>Globe / Light Source included</b> | No   |
| <b>Dimmable</b>                      | Globe Dependant  |
| <b>Electrical Protection</b>         | CLASS II - DOUBLE INSULATED, EARTH NOT REQUIRED                |
| <b>IP rating</b>                     | IP20   |
| <b>Lead and Plug</b>                 | Yes  |
| <b>Approvals</b>                     | RCM  |
| <b>Installation Required</b>         | No   |
| <b>Care Instructions</b>             | Do not use strong liquid cleaners, Wipe clean with a dry cloth |
| <b>Replacement Warranty</b>          | *3 Years   |

## Barcode

**GTIN** 9329501071960

## Image -dimensions



Note: Dimensions are only a guide and may vary due to manufacturing variations.