

KIRA-6-GDN LED Spike Light



Description

KIRA 6W LED Garden Spike Light Series has been specifically designed to finally provide the perfect spread of light required with an adjustable lens function. Simply rotate the lens cover to spread the beam angle from a narrow 15° beam to a wide 60° beam angle. This feature finally offers the flexibility to spot of flood garden areas like never before. Featuring a high output 6W LED chip, and a tilt adjustable head in a black powder coated frame. Low voltage 12V DC Constant Voltage LED driver required.

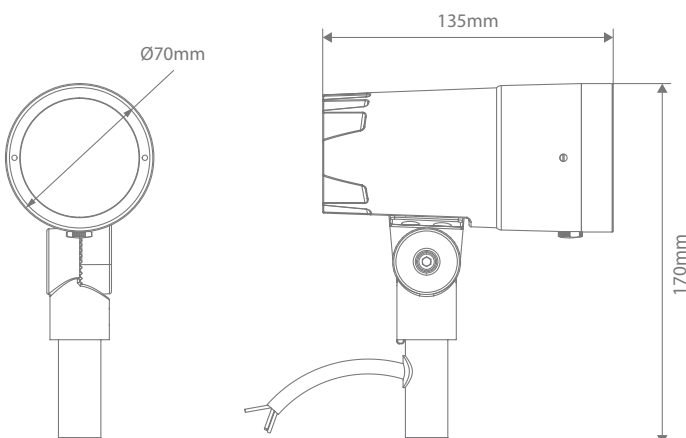


Specification Features

Input Voltage:	12V DC*
Power (W):	6W
IP rating (IP):	65
Lumens (lm):	Warm White 3000K - 300lm White 5000K - 310lm
LED type:	SMD
CCT:	3000K - 5000K
CRI:	≥80
Beam angle (°):	15° - 60° Adjustable
Dimmable:	No
Lifespan (hrs):	50,000hrs

*12V DC Constant Voltage LED Driver required

Diagrams / Additional



Item No.	Variant	CCT
KIRA-6-GDN	BLK	3000K
		5000K