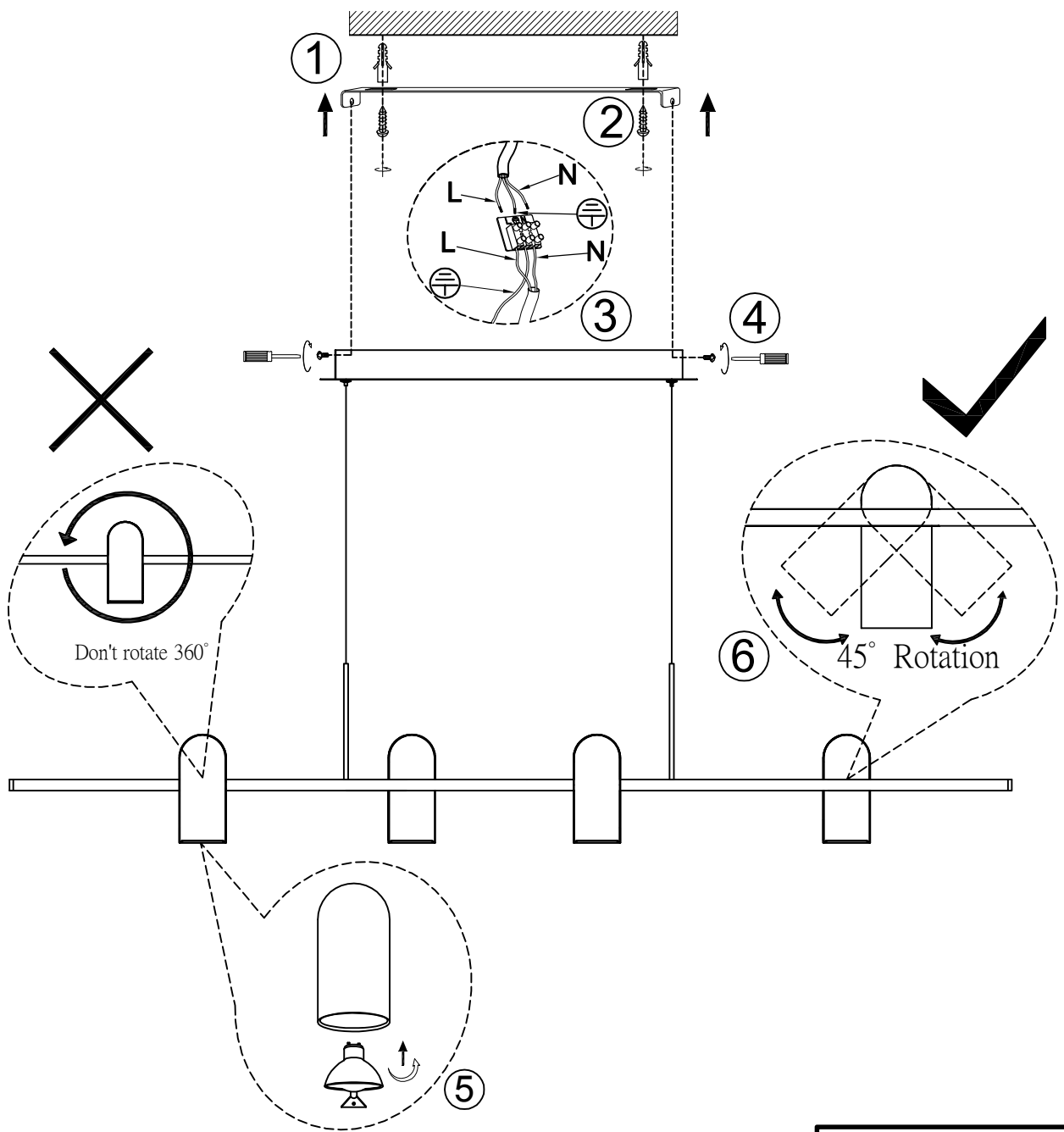


ITEM NO.:KINDLE PE4-BK



240V ~ 50Hz GU10 Max.6Wx4

NOTE: GLOBE NOT INCLUDED



**IMPORTANT**  
Must be installed by  
a qualified electrical  
contractor.  
Install in accordance  
with AS/NZS3000