

Key MR11 3 12V MR11 LED Lamp



Description

3W 12V globe, MR11 shape, with a 38° beam for better light projection. Available in single colour Warm White 3000K or White 6000K colour temperature options. Requires 12V DC Constant Voltage LED Driver.

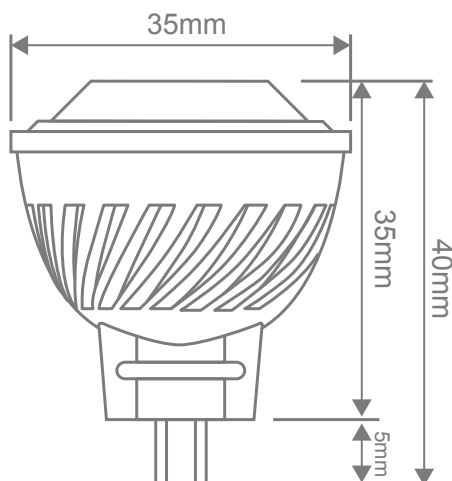


Specification Features

Input Voltage:	12V AC/DC*
Power (W):	3W
IP rating (IP):	IP54
Lumens (lm):	Warm White 3000K - 300lm White 6000K - 300lm
CCT:	3000K-6000K
CRI:	≥80
Dimmable	No
Beam angle (°):	38°
Lifespan (hrs):	35,000hrs

*12V DC Constant Voltage LED Driver required.

Diagrams / Additional



Item No.	Variant	
	3000K	6000K
KEY-MR11-3	65016	65017