

PRODUCT SPECIFICATIONS

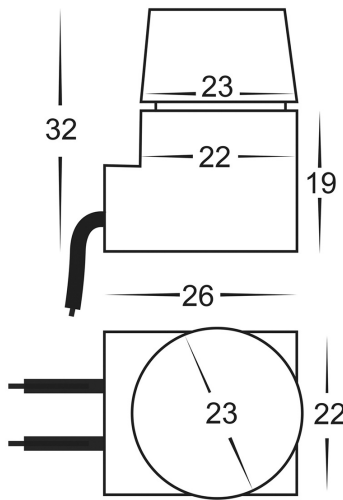
Part Number: HV9628

Material: Plastic

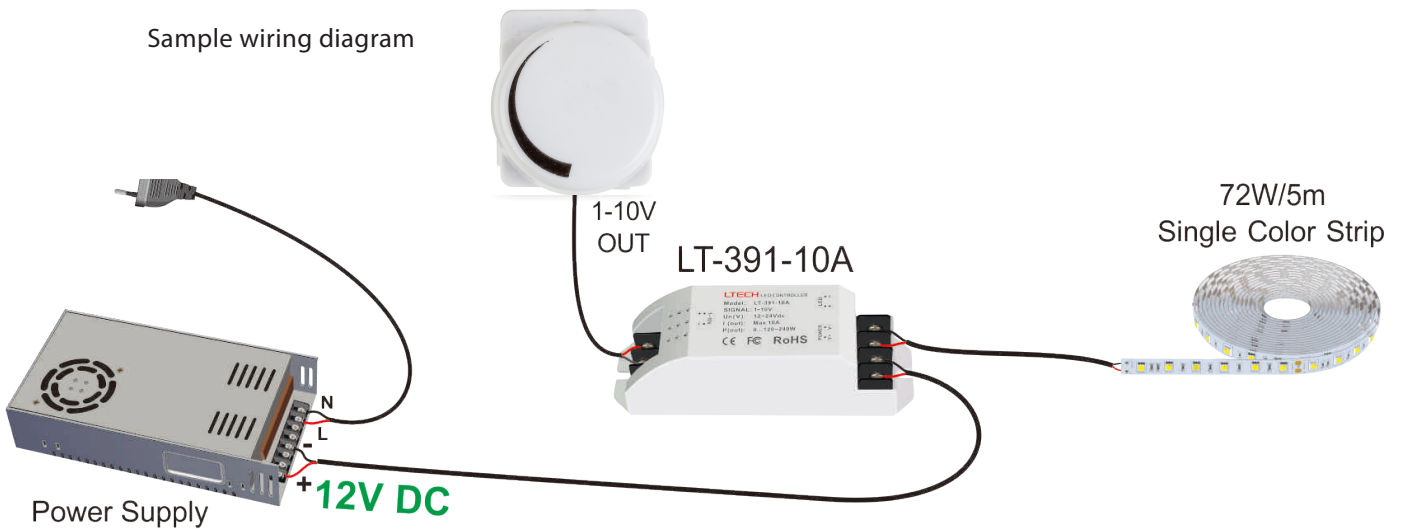
Colour: White

IP Rating: IP20

Warranty: 2 years replacement*



Sample wiring diagram



* See Warranty Terms and Conditions for more information