

PRODUCT SPECIFICATIONS

Part Number: HV9625

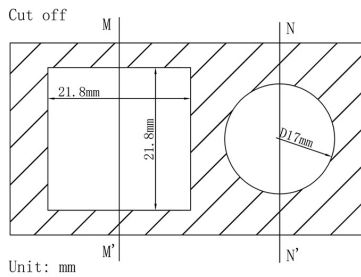
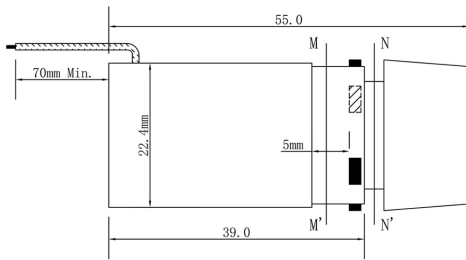
Material: Plastic

Colour: White

Input voltage: 240v

IP Rating: IP20

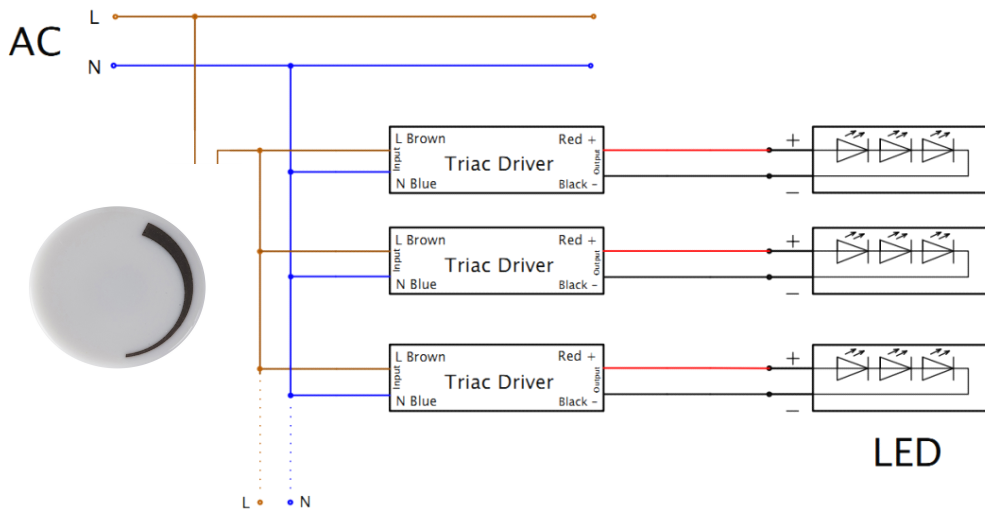
Warranty: 2 years replacement*



Unit: mm



Sample wiring diagram



* See Warranty Terms and Conditions for more information