

## PRODUCT SPECIFICATIONS

**Material:** Plastic

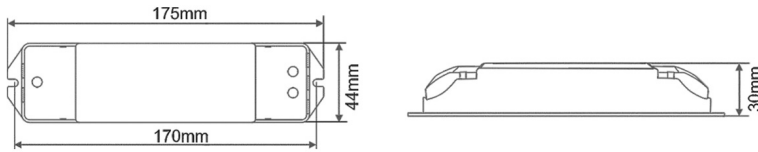
**Colour:** White

**IP Rating:** IP20

**Dimmable:** Yes

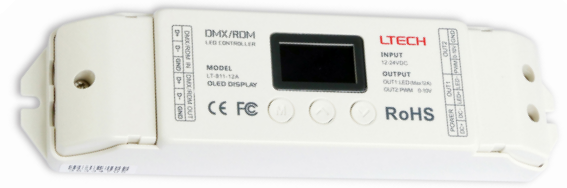
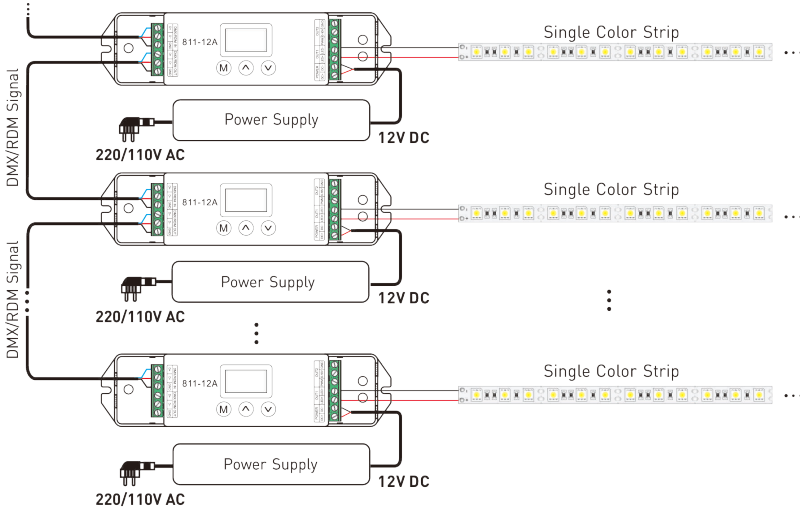
**Input Voltage:** 12v DC or 24v DC

**Warranty:** 2 years replacement\*

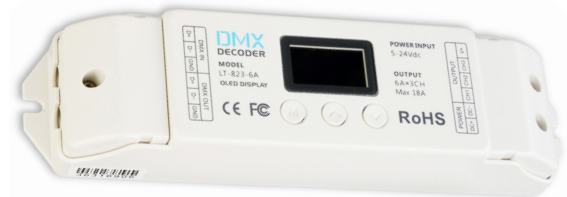


Connect to  
DMX Master control

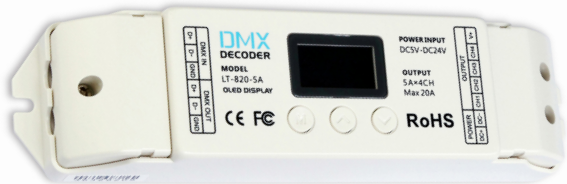
Sample wiring diagram



HV9109-LT-811-12A



HV9109-LT-823-6A



HV9109-LT-820-5A

PART NUMBER	LED STRIP TYPE	NO. OF CHANNELS	INPUT VOLTAGE	OUTPUT POWER
HV9109-LT-811-12A	Single Colour	1 x 12A	12v DC / 24v DC	12v DC 144w / 24v DC 288w
HV9109-LT-823-6A	RGB	3 x 6A	12v DC / 24v DC	12v DC 216w / 24v DC 432w
HV9109-LT-820-5A	RGBC or RGBW	4 x 5A	12v DC / 24v DC	12v DC 240w / 24v DC 480w

\* See Warranty Terms and Conditions for more information

For more information contact Havit Lighting

ADDRESS:  
143 Beauchamp Road  
Matraville NSW 2036  
Australia

Tel: 02 9381 8300  
Fax: 02 9666 8881  
Email: sales@havit.com.au  
web: www.havit.com.au