

PRODUCT SPECIFICATIONS

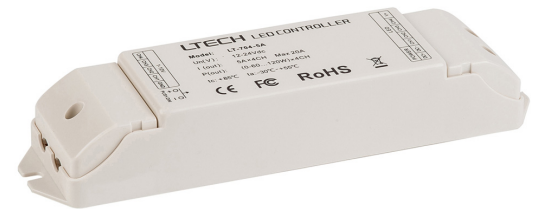
- Material:** Plastic
- Colour:** White
- IP Rating:** IP20
- Dimmable:** Yes
- Input Voltage:** 12v DC or 24v DC
- Warranty:** 2 years replacement*



HV9107-LT-401-12A

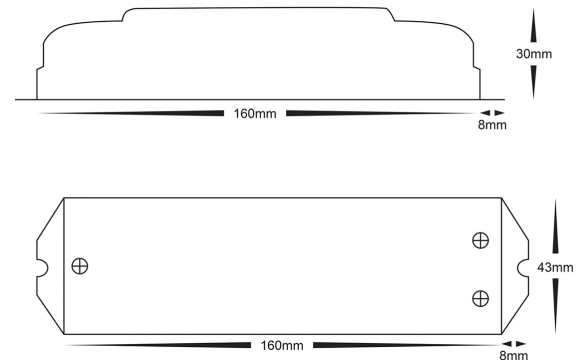
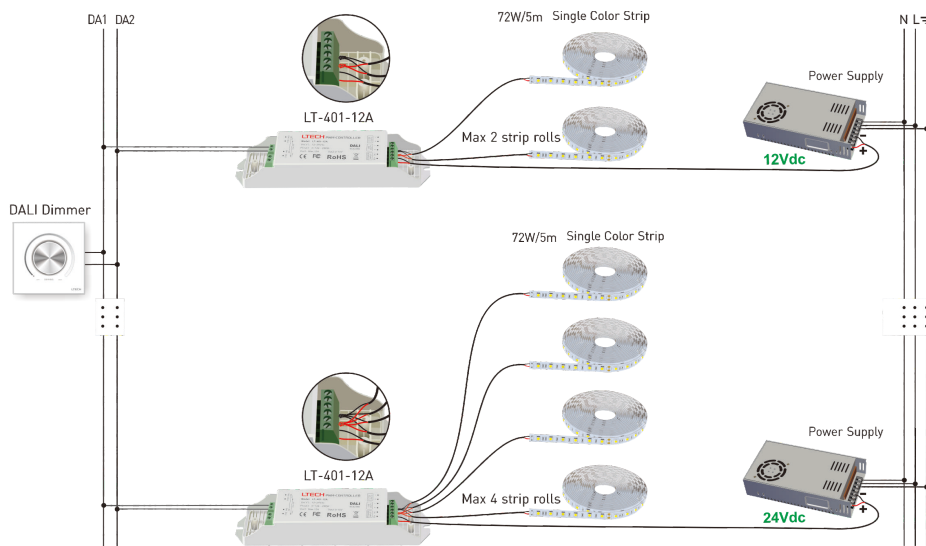


HV9107-LT-403-6A



HV9107-LT-404-5A

Sample wiring diagram



PART NUMBER	LED STRIP TYPE	NO. OF CHANNELS	INPUT VOLTAGE	OUTPUT POWER
HV9107-LT-401-12A	Single Colour	1 x 12A	12v DC / 24v DC	12v DC 144w / 24v DC 288w
HV9107-LT-403-6A	RGB	3 x 6A	12v DC / 24v DC	12v DC 216w / 24v DC 432w
HV9107-LT-404-5A	RGBC or RGBW	4 x 5A	12v DC / 24v DC	12v DC 240w / 24v DC 480w

* See Warranty Terms and Conditions for more information

For more information contact Havit Lighting

ADDRESS:
143 Beauchamp Road
Matraville NSW 2036
Australia

Tel: 02 9381 8300
Fax: 02 9666 8881
Email: sales@havit.com.au
web: www.havit.com.au