

PRODUCT SPECIFICATIONS

Material: Plastic

Colour: White

IP Rating: IP20

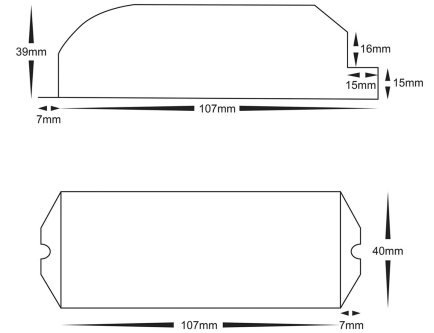
Dimmable: Yes

Input Voltage: 12v DC or 24v DC

Warranty: 2 years replacement*

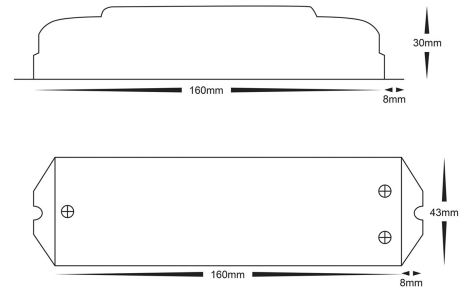
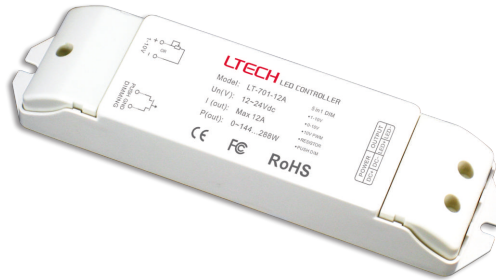
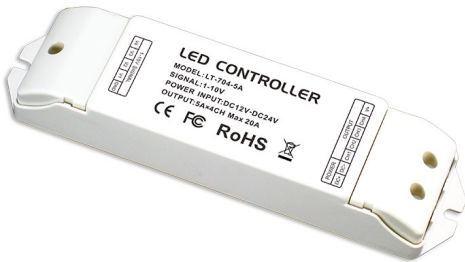
HV9106-LT-391-10A

HV9106-LT-393-5A



HV9106-LT-704-5A

HV9106-LT-701-12A



PART NUMBER	LED STRIP TYPE	NO. OF CHANNELS	INPUT VOLTAGE	OUTPUT POWER
HV9106-LT-391-10A	Single Colour	1 x 10A	12v DC / 24v DC	12v DC 120w / 24v DC 240w
HV9106-LT-701-12A	Single Colour	1 x 12A	12v DC / 24v DC	12v DC 144w / 24v DC 288w
HV9106-LT-393-5A	RGB	3 x 5A	12v DC / 24v DC	12v DC 180w / 24v DC 360w
HV9106-LT-704-5A	RGBC or RGBW	4 x 5A	12v DC / 24v DC	12v DC 240w / 24v DC 480w

* See Warranty Terms and Conditions for more information