

PRODUCT SPECIFICATIONS

Product Code: HV9102-M4+M4-5A

Material: Plastic

Colour: White

IP Rating: IP20

Dimmable: Yes

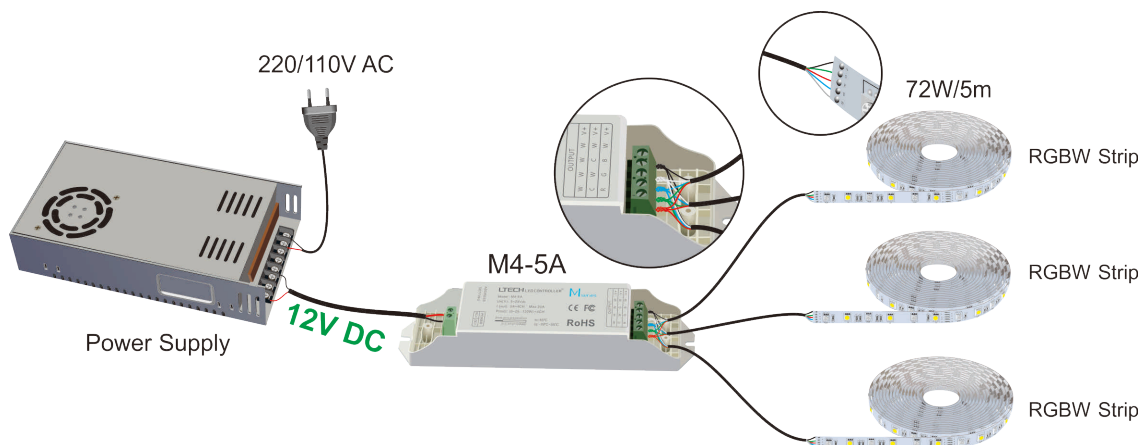
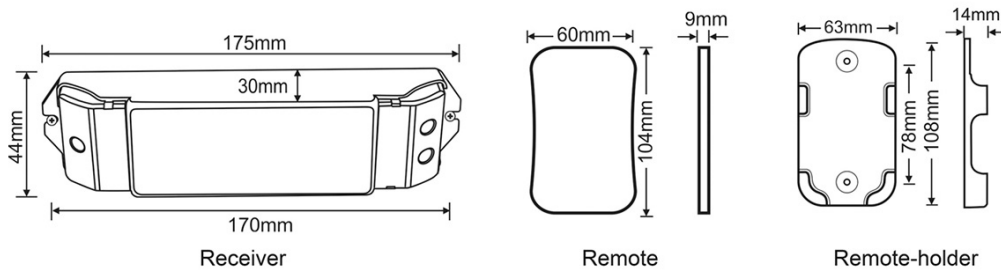
Output Signal: 2.4ghz

Transmitting Range: Up to 30m

Input Voltage: 12v DC or 24v DC

Power: 12v DC 240w/ 24v DC 480w

Warranty: 2 years replacement*



Sample wiring diagram

* See Warranty Terms and Conditions for more information