

PRODUCT SPECIFICATIONS

Product Code: HV9101-D61

Material: Plastic

Colour: White

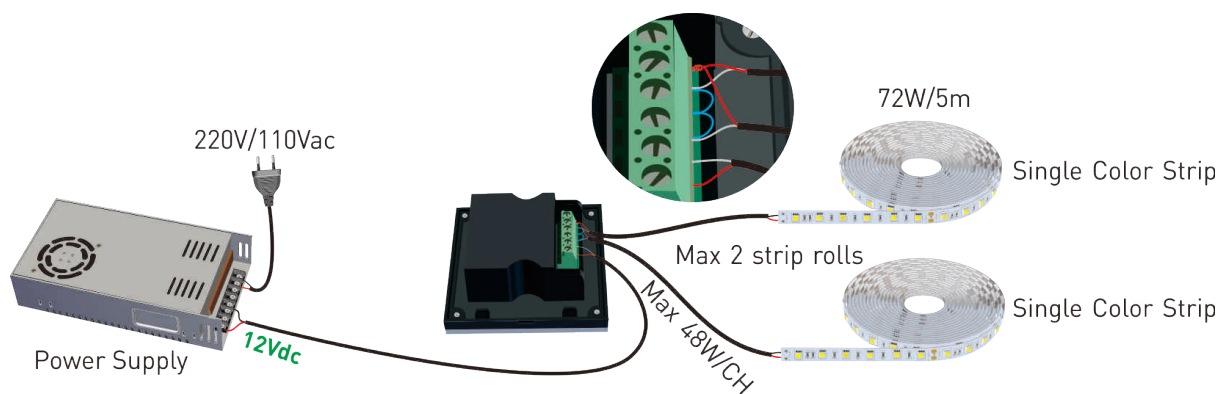
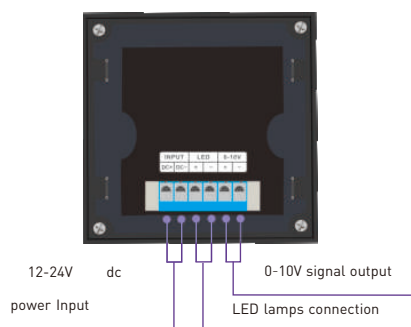
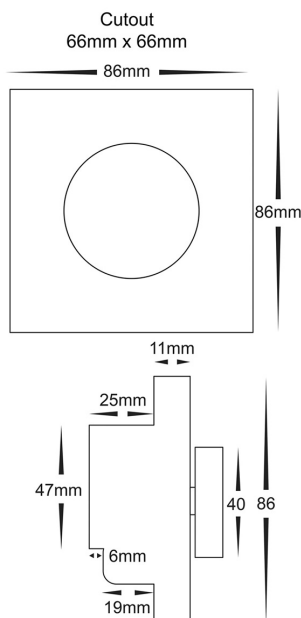
IP Rating: IP20

Dimmable: Yes

Input Voltage: 12v DC or 24v DC

Power: 12v DC 72w/ 24v DC 144w

Warranty: 2 years replacement*



Sample wiring diagram

* See Warranty Terms and Conditions for more information