

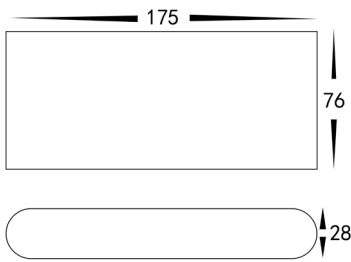
# Lisse Wall Light Installation Instructions



## Product Specifications

Model No.	HV3643RGBW-BLK	HV3643RGBW-WHT	HV3644RGBW-BLK	HV3644RGBW-WHT
Name	Lisse			
Material	Aluminium			
Colour	Black	White	Black	White
IP Rating	IP54			
Input Voltage	12v DC			
Lamp Base	Built in LED			
Lamp Wattage	1x 6w		2x 5w	
Colour Temp	RGBW (RGB + 3000k)		RGBW (RGB + 3000k)	
Lumens	N/A		N/A	
CRI	> 80			
Wiring	Parallel			
Dimmable	No			
Warranty	2 Years Replacement*			

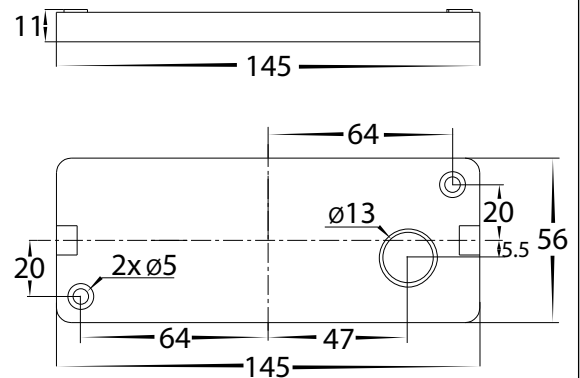
### HV3643 Dimensions



### HV3644 Dimensions



### Mounting Base Diagram



## Important Safety Issues:

- This product must be installed by a qualified electrician according to AS/NZS 3000.
- Ensure all electrical mains are disconnected before any installation.
- Do not exceed maximum wattage restrictions for globes: 240V GU10 = 35w / 12V MR16 = 20w
- Modification of this product will void any warranty.
- Havit Lighting does not take responsibility for wrong installation, incorrect use, or use of installation material that does not belong to the system.
- When installing low voltage fittings, Voltage to fitting must be within +or- 5% of voltage required and cannot be installed more than 25m from LED Driver, if not within this allowance warranty will be voided.
- Aluminium and 304SS fittings must not be installed within 2km of any salt water environments.
- When installing copper fittings, gloves must be worn to avoid any oils transferring to fitting.
- All 316 stainless steel fittings must have regular cleaning maintenance to avoid any tea staining from forming on fitting. (Warranty does not cover Tea Staining)
- All o-rings and seals must be in place correctly to maintain warranty.
- These instructions may be updated at any time due to product improvements, Please visit website for most current installation instructions.

## Steps for Installation:

1. Make sure that the electrical circuit is free of voltage (master switch off)
2. Loosen allen screws on side of fitting
3. Remove base plate from fitting and attach base plate in desired location
4. Using an appropriate 12v DC LED Driver and RGBW LED Controller - DO NOT CONNECT LIGHT FITTING DIRECTLY TO 240V
5. Connect the cable from RGBW LED Controller - If more than one fitting installed, wiring must be done in parallel.
6. Reattach fitting to baseplate making sure screws are tight to avoid water penetration.
7. Apply silicon around edge of fitting to prevent any water from getting inside to electrical connections.
8. All connections must be carried out carefully, inspect all contacts before switching back on the electric circuit.

## Must be installed by a licensed electrician

### Contact Details:

143 Beauchamp Road  
Matraville NSW 2036  
Australia  
Tel: 02 9381 8300  
Fax: 02 9666 8881  
Email: sales@havit.com.au  
Web: www.havit.com.au

### Warranty Terms & Conditions\*



### Additional Information

