

Pinta 316 Stainless Steel Step Light with Large Eyelid



PRODUCT SPECIFICATIONS

Name: Pinta

Material: 316 Stainless Steel

Colour: Stainless Steel

CRI: ≥80

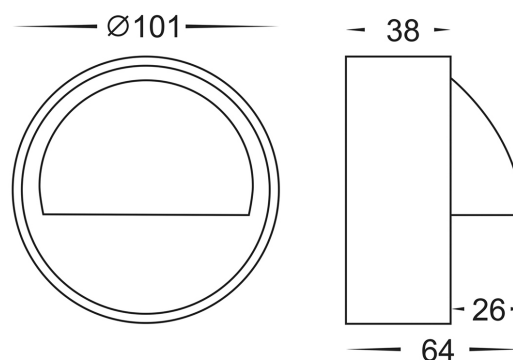
IP Rating: IP54

Lamp Base: G9, G4 or Built in LED

Wiring: Parallel

Dimmable: No

Warranty: 2 years replacement**



PART NUMBER	COLOUR TEMP	LUMENS	INPUT VOLTAGE	BEAM ANGLE	INCLUDED GLOBES
HV2906	N/A	N/A	240v	N/A	G9 25w Max (not supplied with globes)
HV2907	N/A	N/A	12v	N/A	G4 20w Max (not supplied with globes)
HV2908C	5500K	180lm	240v	120°	2.3w Built in LED
HV2908W	3000K	160lm	240v	120°	2.3w Built in LED
HV2909C	5500K	180lm	12v DC	120°	2.3w Built in LED
HV2909W	3000K	160lm	12v DC	120°	2.3w Built in LED

12V models must be used with suitable 12v DC LED driver

* Lumen output measured at source

** See Warranty Terms and Conditions for more information

For more information contact Havit Lighting

ADDRESS:
143 Beauchamp Road
Matraville NSW 2036
Australia

Tel: 02 9381 8300
Fax: 02 9666 8881
Email: sales@havit.com.au
web: www.havit.com.au